



(12) **United States Patent**  
**Lee et al.**

(10) **Patent No.:** **US 7,675,365 B2**  
(45) **Date of Patent:** **Mar. 9, 2010**

(54) **SYSTEMS AND METHODS FOR POWER AMPLIFIERS WITH VOLTAGE BOOSTING MULTI-PRIMARY TRANSFORMERS**

(75) Inventors: **Chang-Ho Lee**, Marietta, GA (US); **Kyu Hwan An**, Dunwoody, GA (US); **Ki Seok Yang**, Atlanta, GA (US); **Jaejoon Chang**, Duluth, GA (US); **Wangmyong Woo**, Cumming, GA (US); **Younsuk Kim**, Suwon (KR); **Haksun Kim**, Daejeon (KR); **Ockgoo Lee**, Atlanta, GA (US); **Dong Ho Lee**, Atlanta, GA (US); **Hyungwook Kim**, Atlanta, GA (US); **Joy Laskar**, Marietta, GA (US)

(73) Assignees: **Samsung Electro-Mechanics (KR); Georgia Tech Research Corporation**, Atlanta, GA (US)

(\* ) Notice: Subject to any disclaimer, the term of this patent is extended or adjusted under 35 U.S.C. 154(b) by 1 day.

(21) Appl. No.: **11/964,646**

(22) Filed: **Dec. 26, 2007**

(65) **Prior Publication Data**

US 2008/0164941 A1 Jul. 10, 2008

**Related U.S. Application Data**

(60) Provisional application No. 60/884,374, filed on Jan. 10, 2007.

(51) **Int. Cl.**  
**H03F 3/68** (2006.01)  
**H03F 1/00** (2006.01)

(52) **U.S. Cl.** ..... **330/295; 330/195**

(58) **Field of Classification Search** ..... **330/124 R, 330/195, 197, 65, 295**

See application file for complete search history.

(56) **References Cited**

**U.S. PATENT DOCUMENTS**

3,060,266 A *	10/1962	Dow	381/27
4,105,941 A	8/1978	Routh	
6,323,686 B1 *	11/2001	Bisson et al.	326/82
6,476,704 B2 *	11/2002	Goff	336/200
7,129,784 B2	10/2006	Bhatti et al.	
2007/0046371 A1	3/2007	Barabash et al.	
2007/0069717 A1	3/2007	Cheung et al.	

**FOREIGN PATENT DOCUMENTS**

EP	1677415 A1	5/2006
JP	2003506915 A	2/2003
WO	0110053 A1	2/2001

**OTHER PUBLICATIONS**

Search Report for GB 0800400.4, dated Mar. 18, 2008.

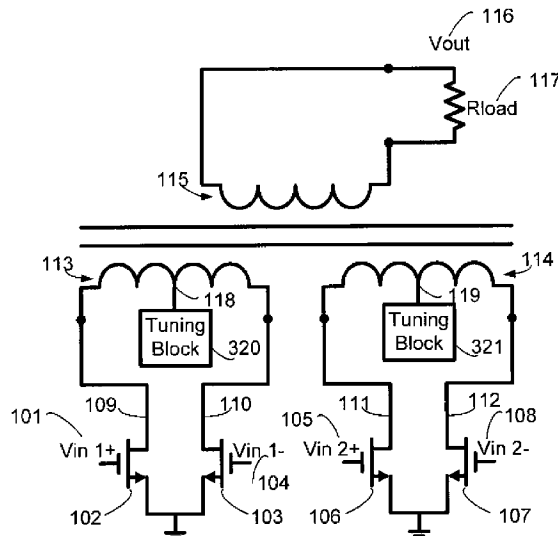
\* cited by examiner

*Primary Examiner*—Robert Pascal  
*Assistant Examiner*—Khiem D Nguyen  
(74) *Attorney, Agent, or Firm*—Sutherland Asbill & Brennan LLP

(57) **ABSTRACT**

Systems and methods may be provided for a power amplifier system. The systems and methods may include a plurality of power amplifiers, where each power amplifier includes at least one output port. The systems and methods may also include a plurality of primary windings each having a first number of turns, where each primary winding is connected to at least one output port of the plurality of power amplifiers, and a single secondary winding inductively coupled to the plurality of primary windings, where the secondary winding includes a second number of turns greater than the first number of turns.

**21 Claims, 18 Drawing Sheets**



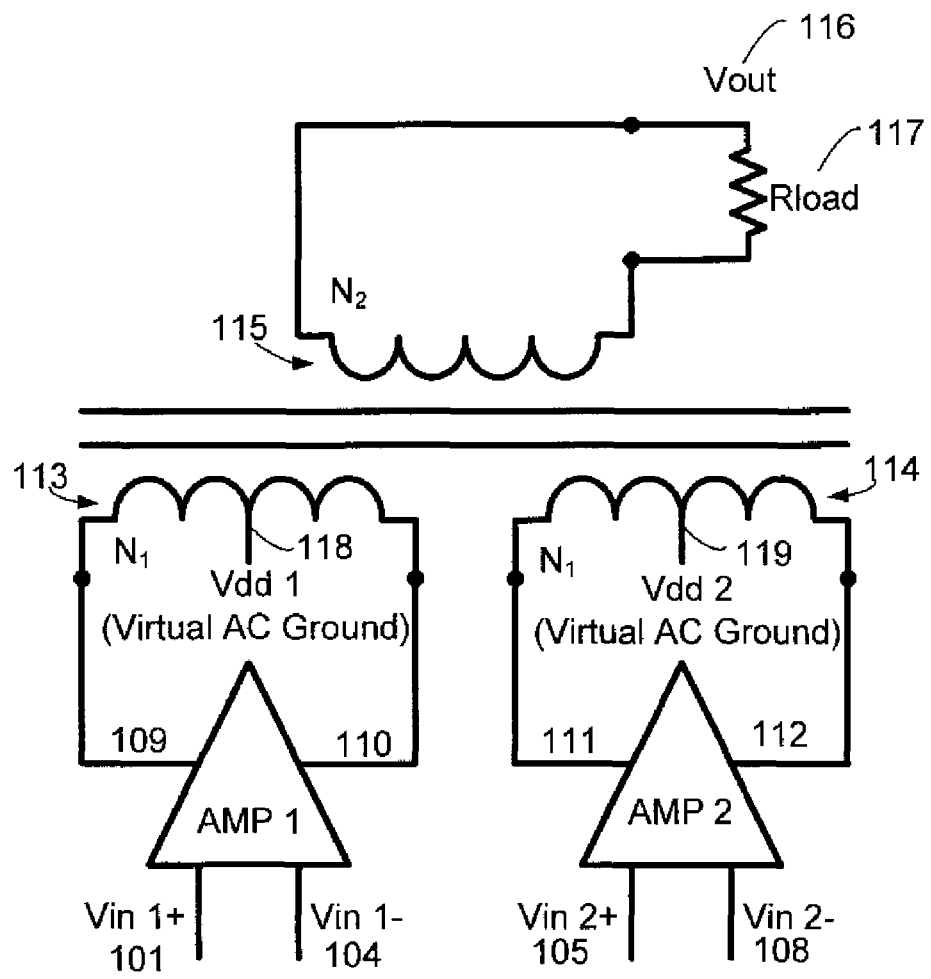


FIG. 1A

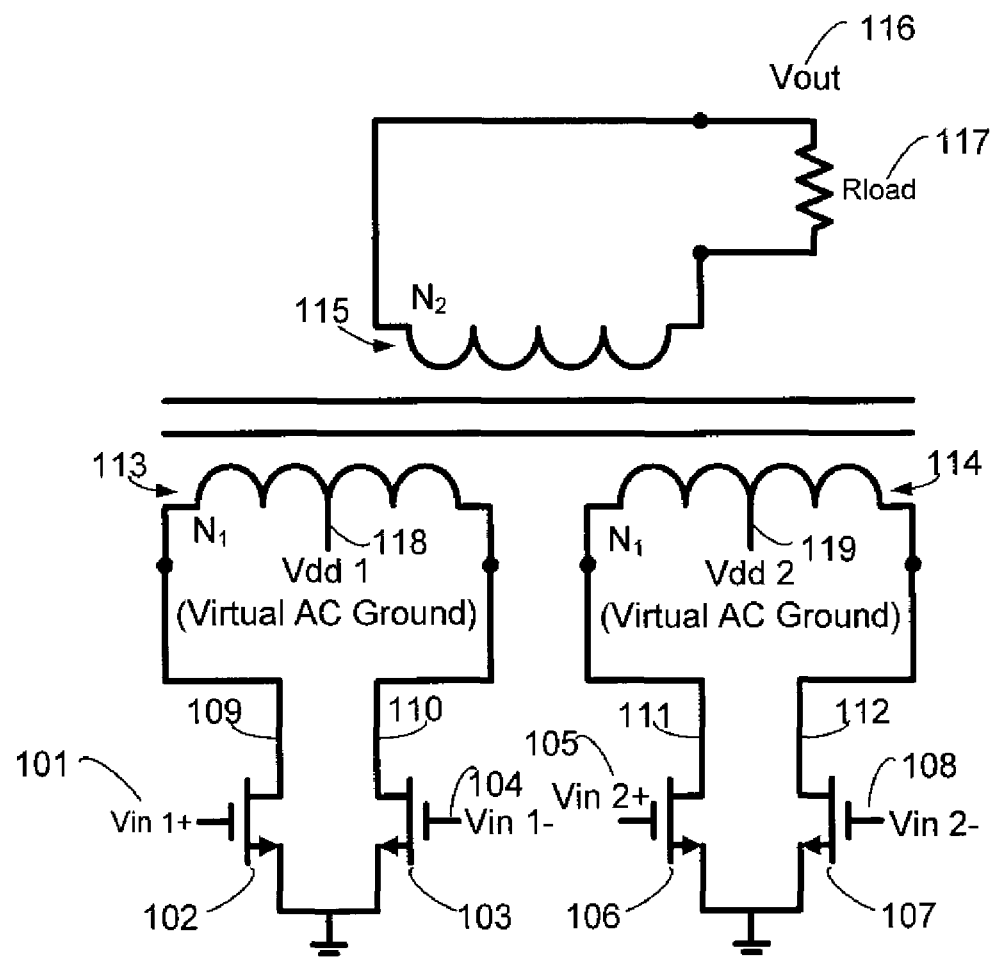


FIG. 1B

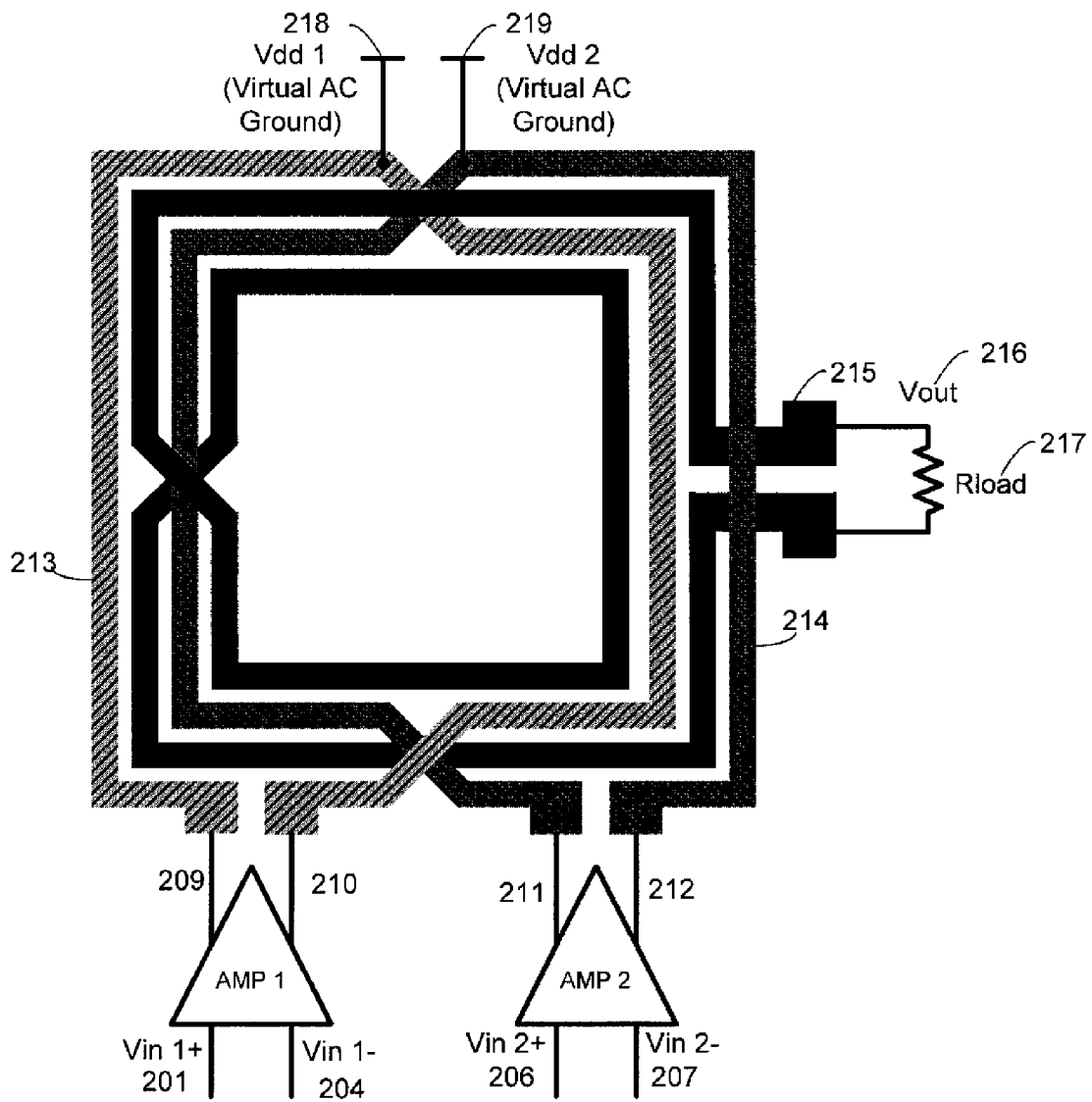


FIG. 2A

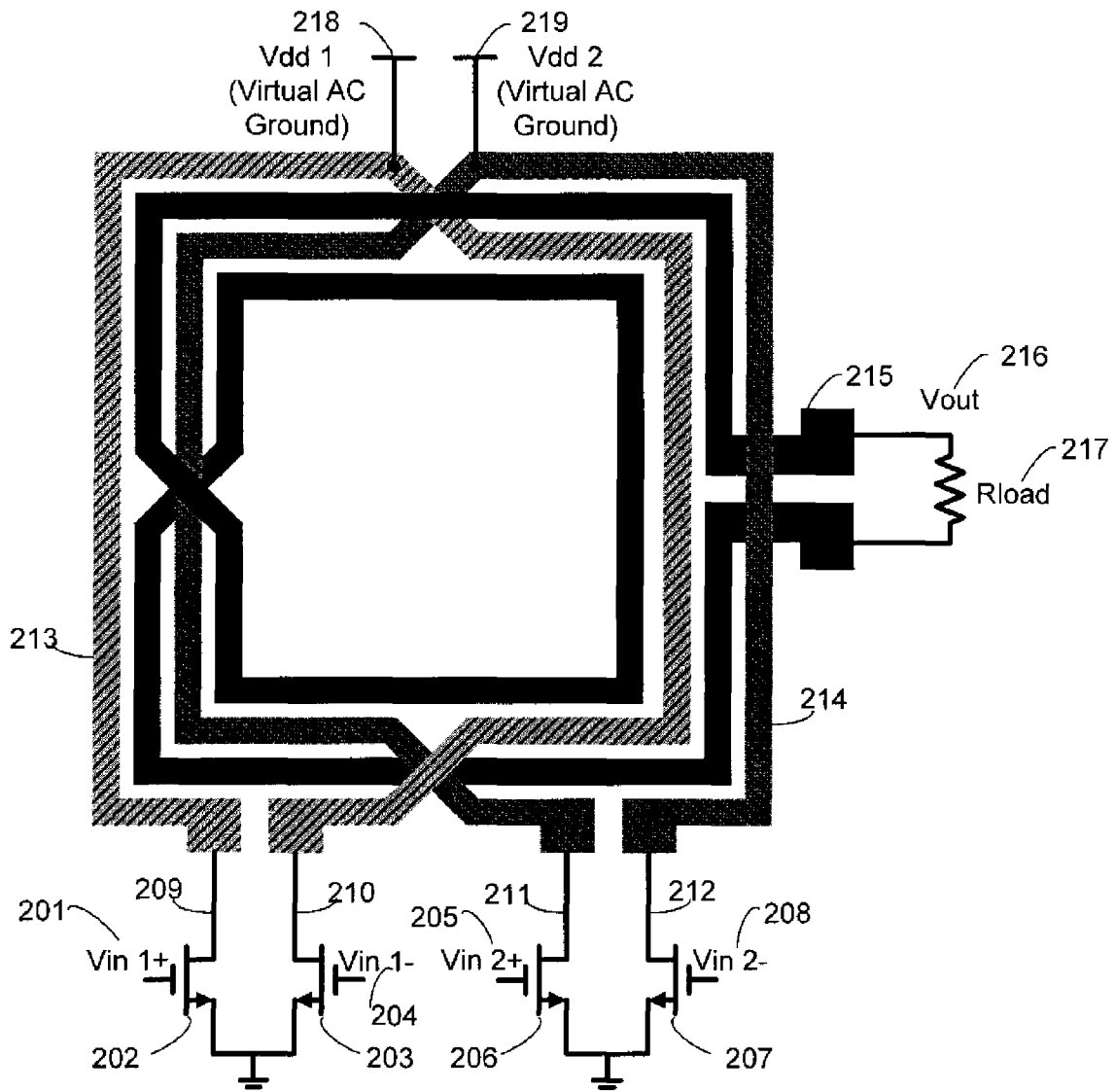


FIG. 2B

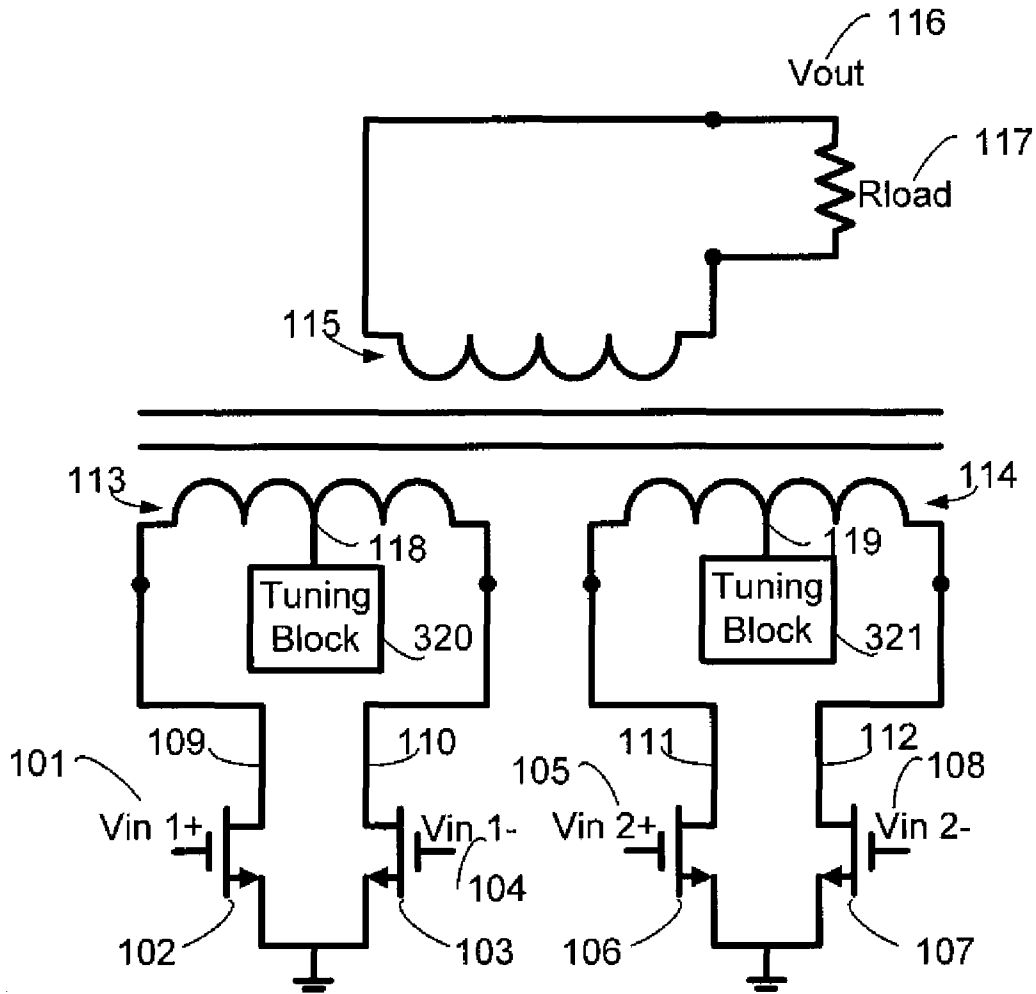


FIG. 3

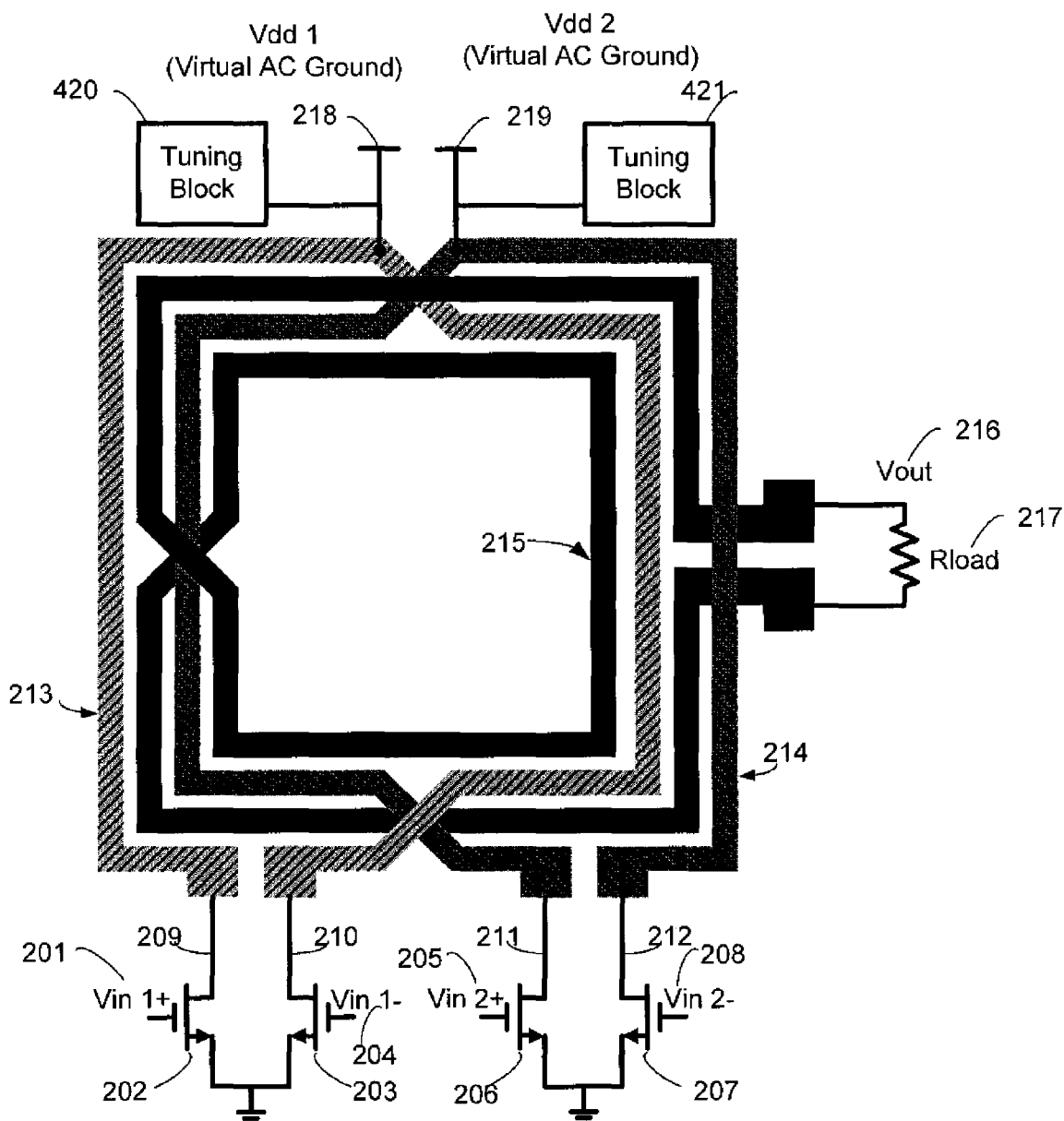


FIG. 4

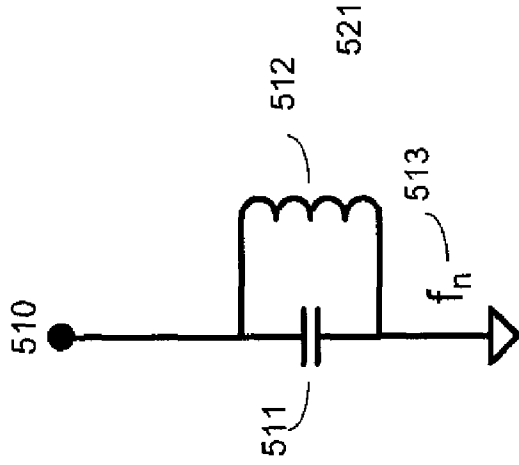


FIG. 5B

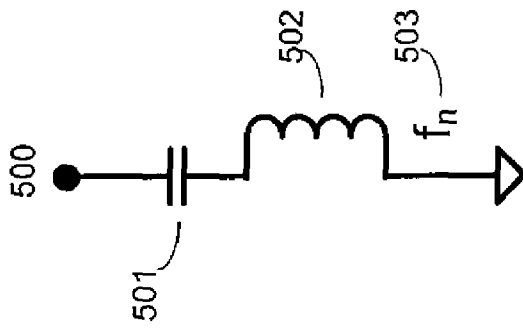


FIG. 5A

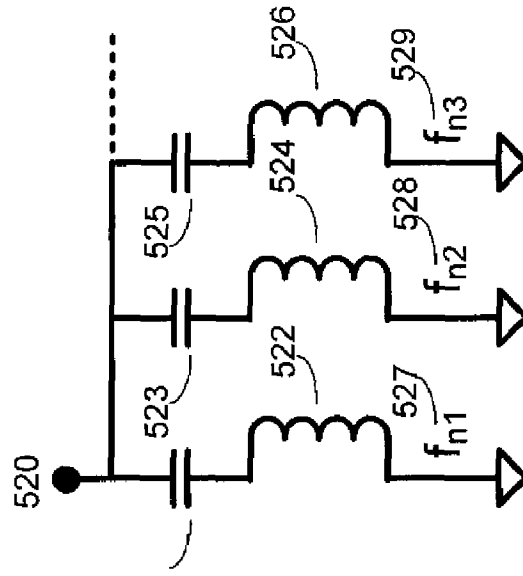


FIG. 5C



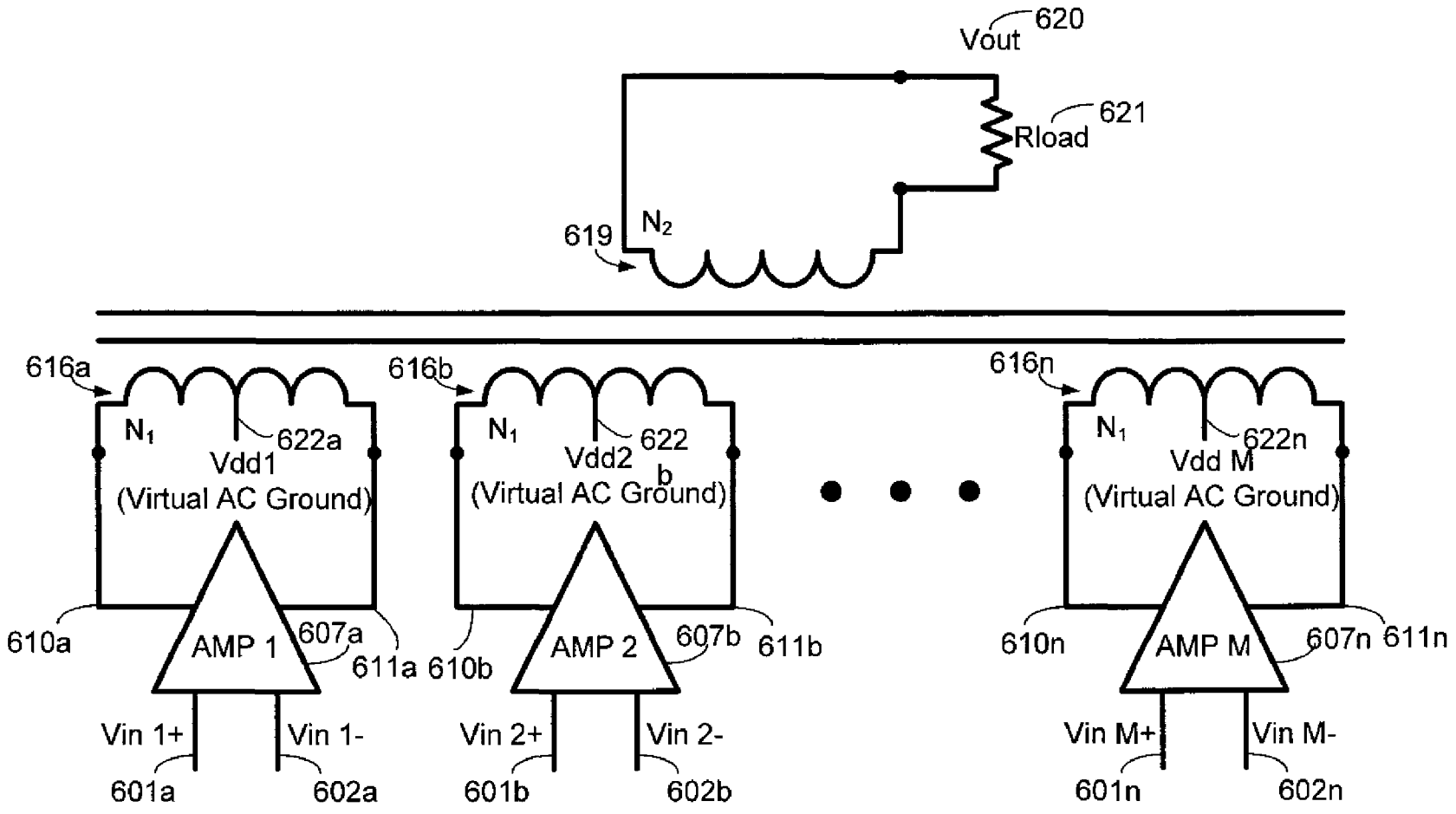


FIG. 6A

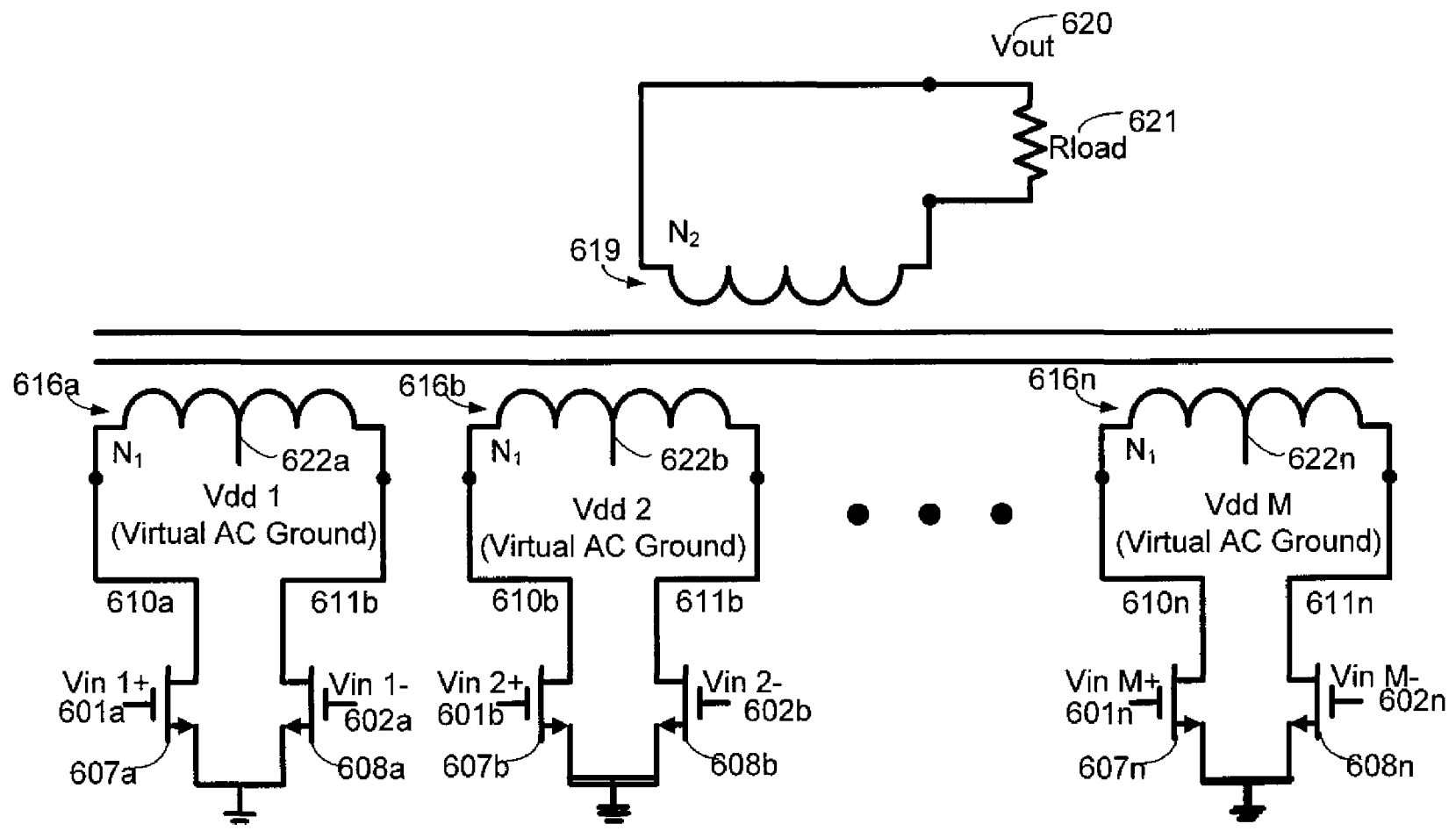


FIG. 6B

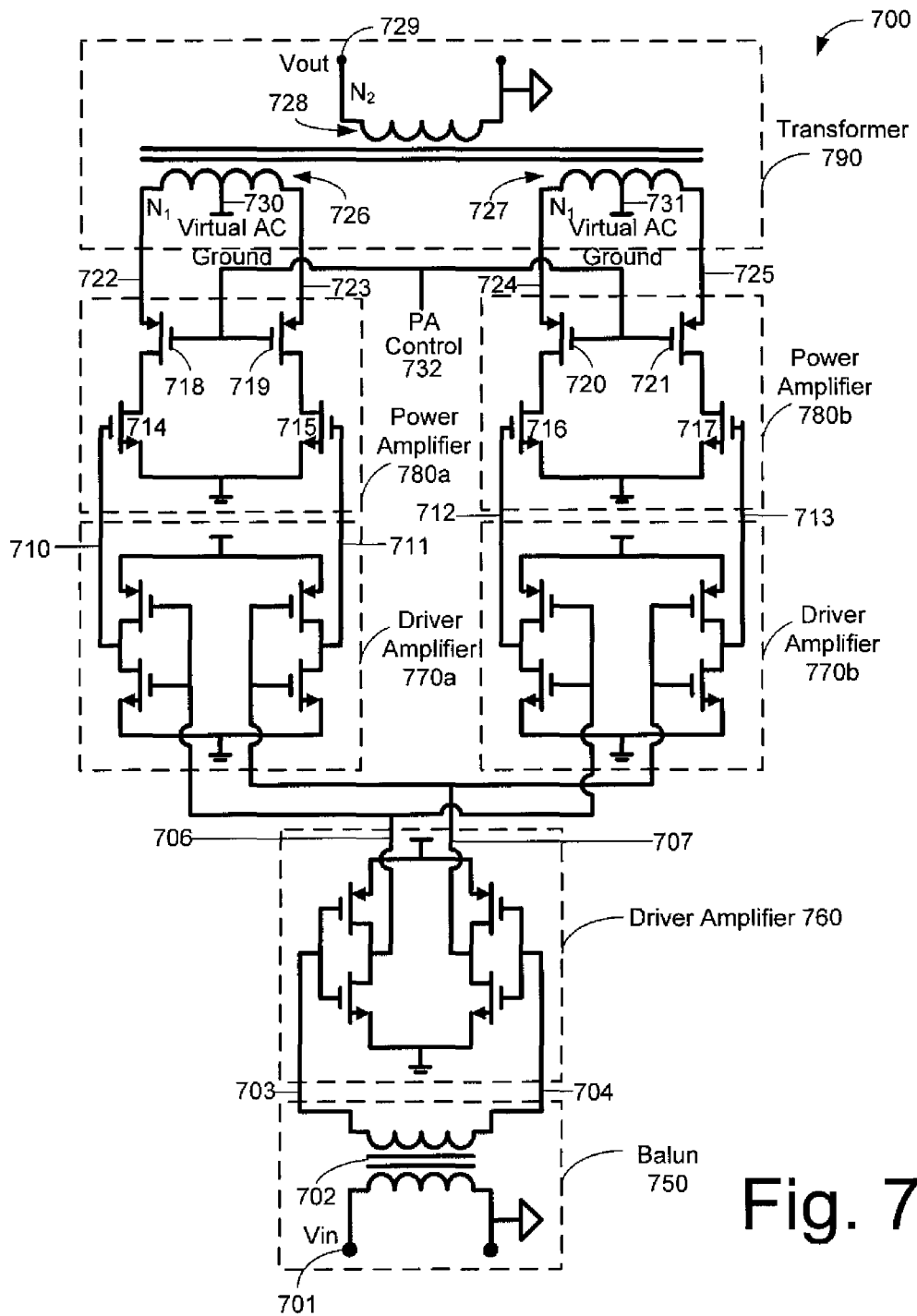


Fig. 7

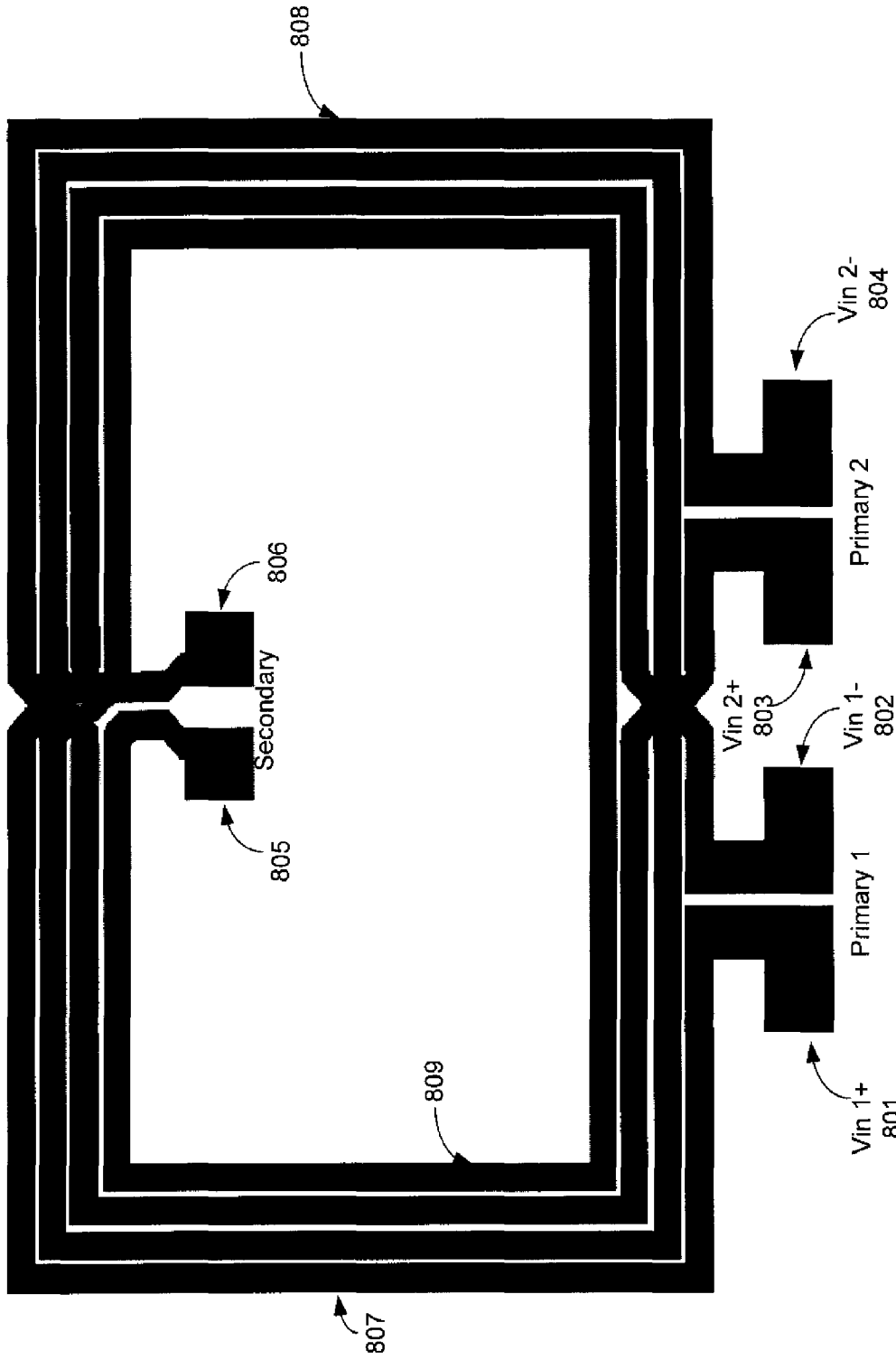


FIG. 8

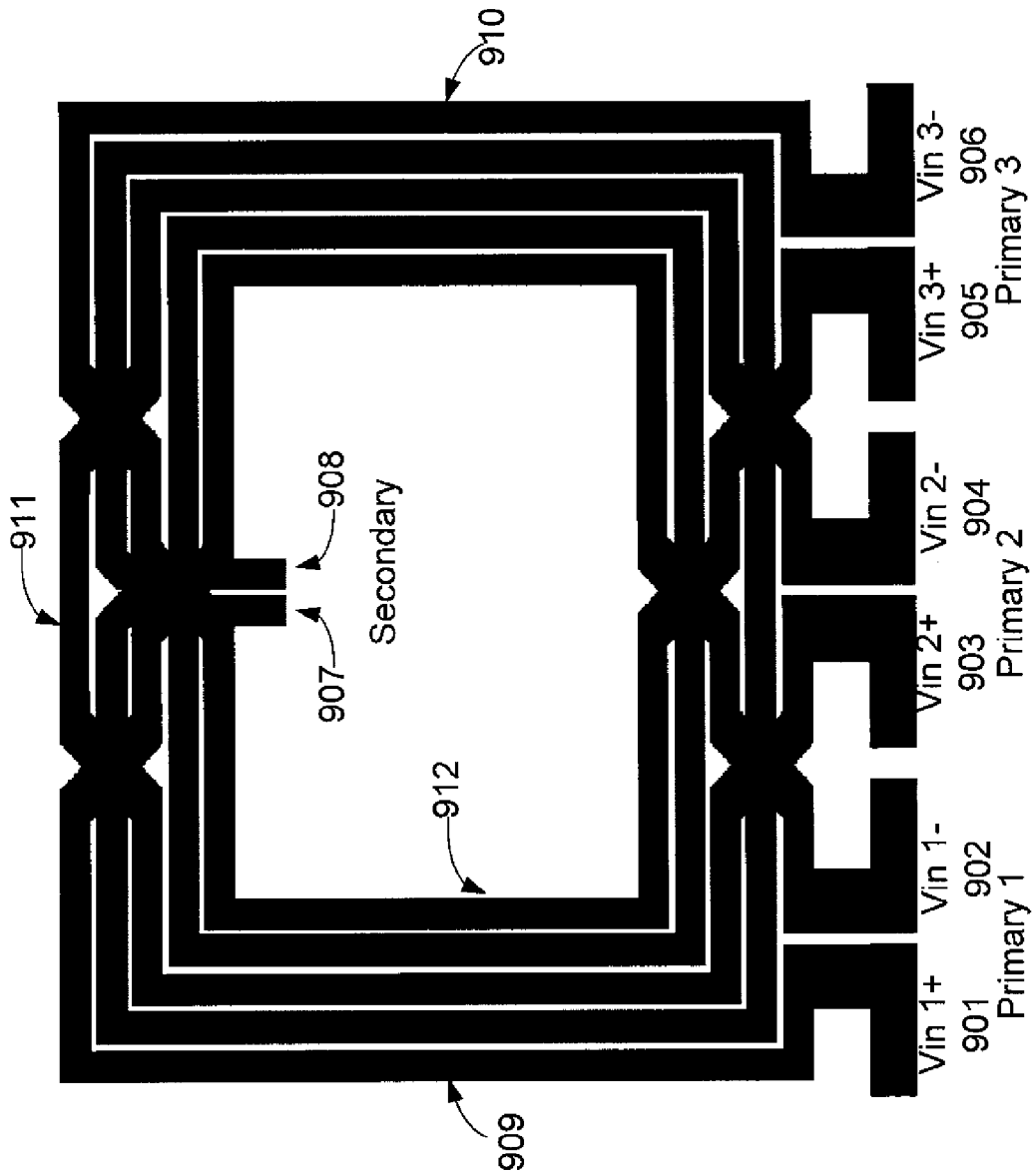


FIG. 9

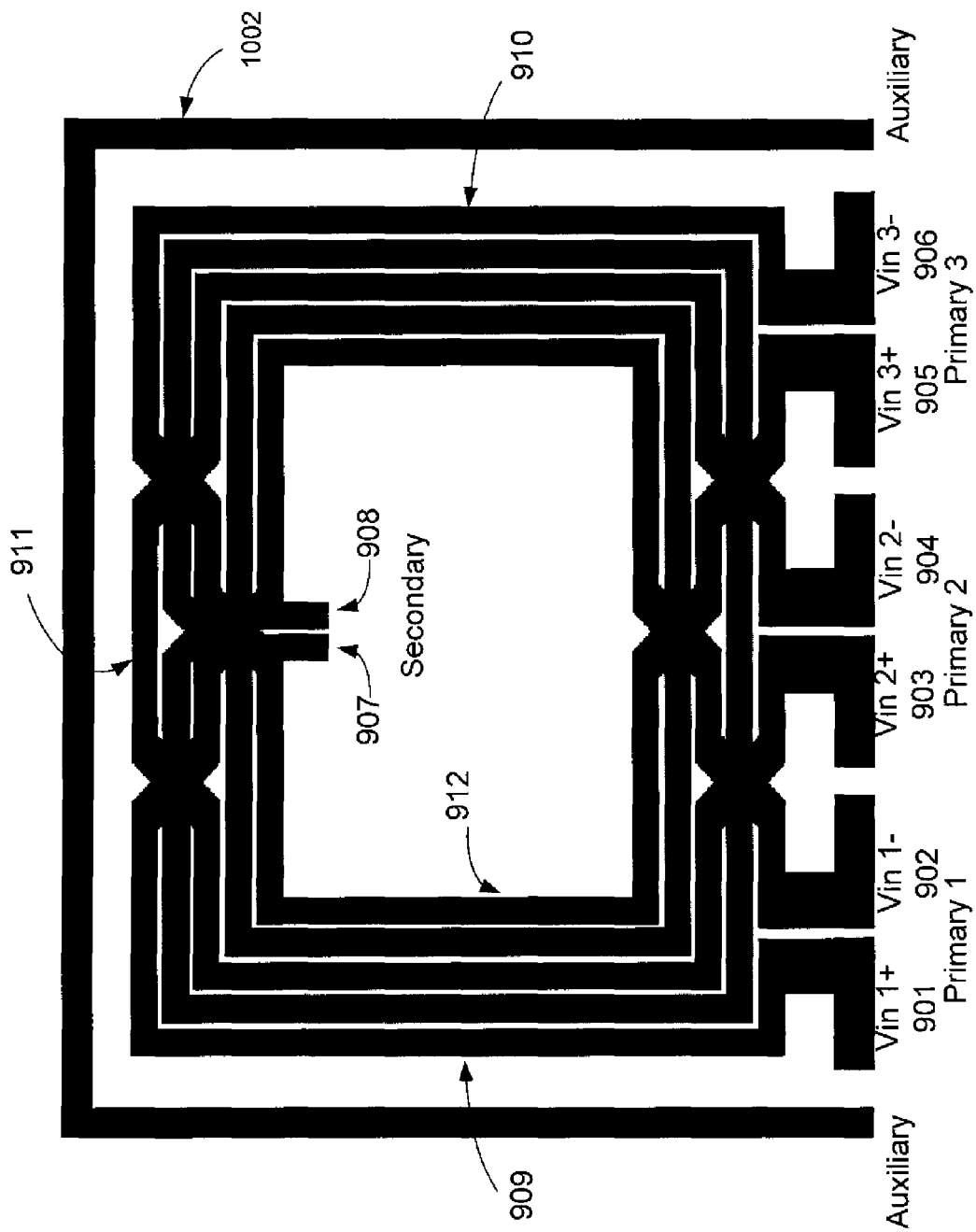


FIG. 10

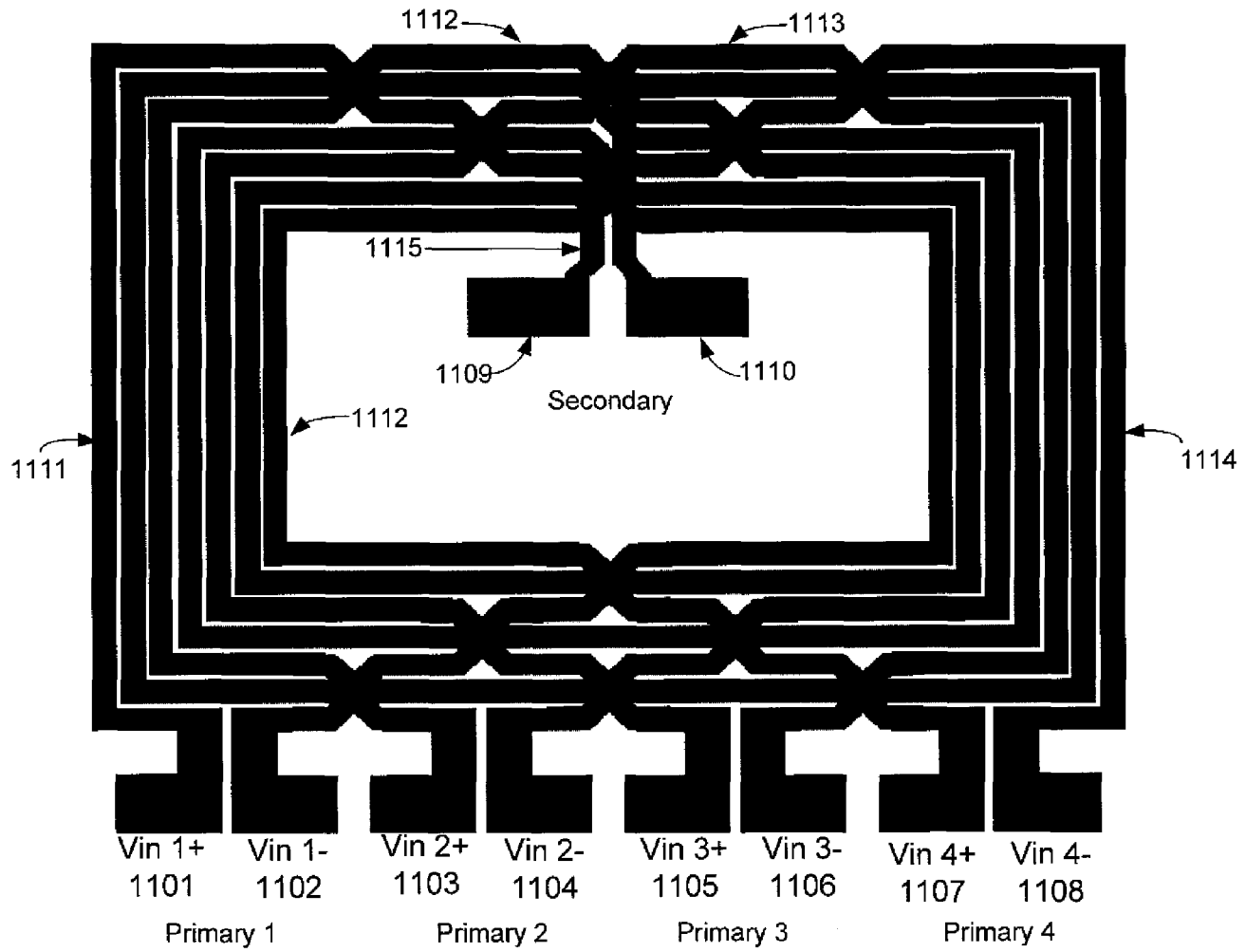


FIG. 11

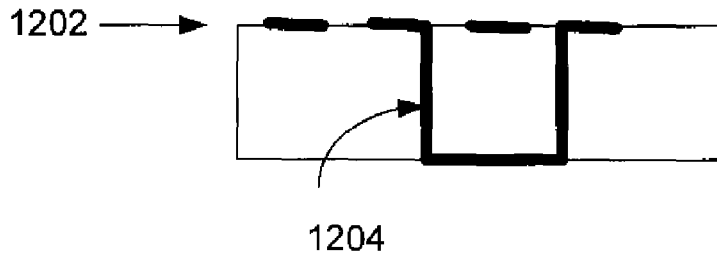


FIG. 12

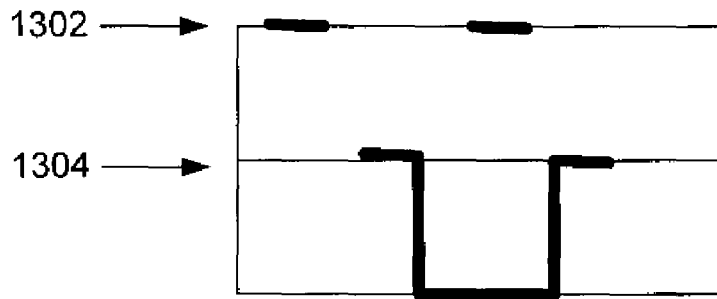


FIG. 13

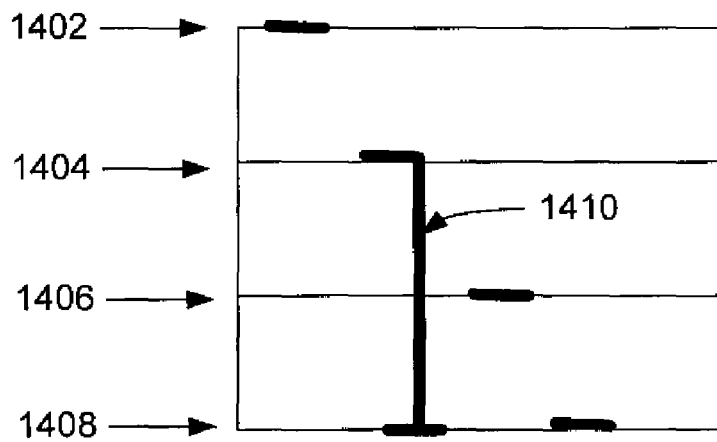


FIG. 14



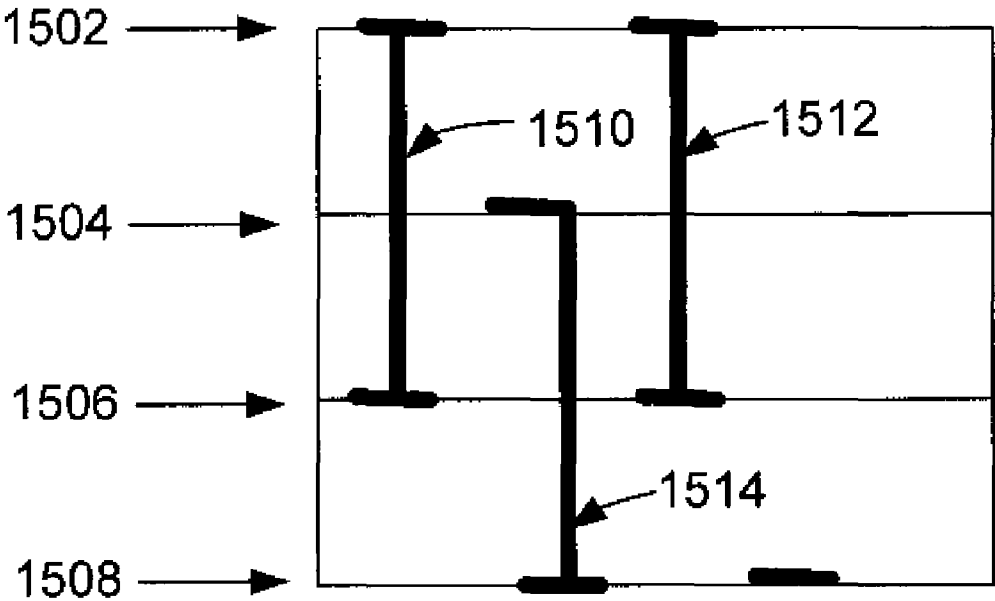
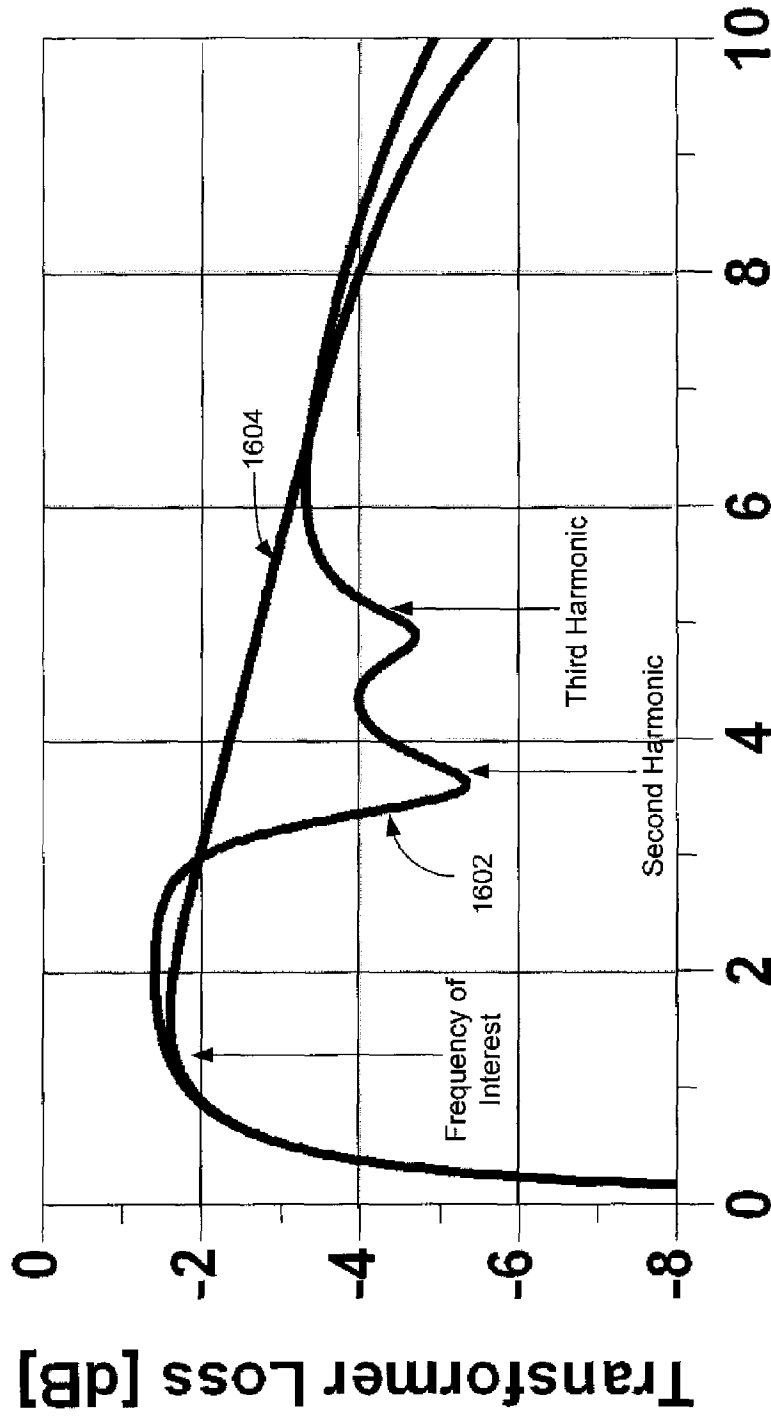


FIG. 15



Frequency [GHz]

FIG. 16

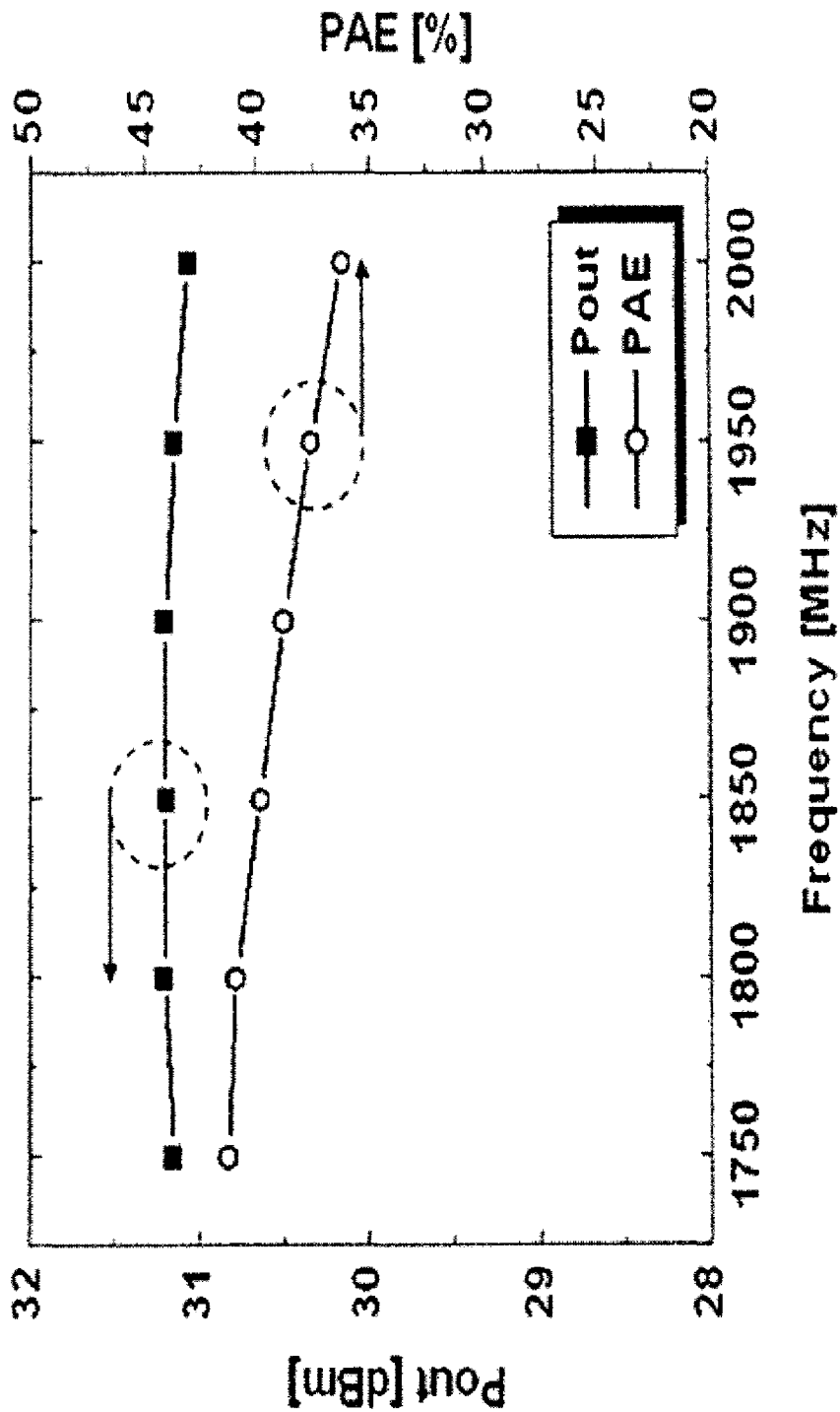


FIG. 17

## SYSTEMS AND METHODS FOR POWER AMPLIFIERS WITH VOLTAGE BOOSTING MULTI-PRIMARY TRANSFORMERS

### RELATED APPLICATION

The present application claims priority to U.S. Provisional Application No. 60/884,374, filed Jan. 10, 2007, and entitled "SYSTEMS AND METHODS FOR RADIO FREQUENCY (RF) POWER AMPLIFIERS WITH VOLTAGE BOOSTING MULTI-PRIMARY TRANSFORMERS," which is hereby incorporated by reference in its entirety as if fully set forth herein.

### FIELD OF INVENTION

Embodiments of the invention relate generally to power amplifiers, and more particularly, to systems and methods for voltage-boosting transformers to couple one or more power amplifiers to a load.

### BACKGROUND OF THE INVENTION

With the explosive growth of the mobile communications industry, many efforts have been made to integrate mobile application functions (e.g., low noise amplifiers, mixers, voltage-controlled oscillators, etc.) into a single semiconductor technology (e.g., a single chip). However, fully integrating a power amplifier on a single chip area presents a variety of difficulties. In particular, bulky power matching structures require a large chip area and if the matching structure is distributed on the whole chip area, then the high output power from the power amplifier can degrade the performance of other mobile application functions. Therefore, in some applications, the matching structure of power amplifiers should be isolated from other mobile application functions into one area and the total matching structure size should be reasonably small to be cost effective while the level of output power is high enough. Accordingly, there is a need for improved power matching designs to implement a fully integrated high-power amplifier system.

### BRIEF SUMMARY OF THE INVENTION

According to an example embodiment of the invention, there is a power amplifier system. The power amplifier system may include a plurality of power amplifiers, where each power amplifier includes at least one output port. The power amplifier system may also include a plurality of primary windings each having a first number of turns, where each primary winding is connected to at least one output port of the plurality of power amplifiers, and a single secondary winding inductively coupled to the plurality of primary windings, where the secondary winding includes a second number of turns greater than the first number of turns.

According to another example embodiment of the invention, there is a method for providing a power amplifier system. The method may include providing a plurality of power amplifiers, where each power amplifier includes at least one output port. The method may also include connecting the at least one output port of each power amplifier to one of a plurality of primary windings, where each of the plurality of windings includes a first number of turns, and inductively coupling the plurality of primary windings to a single secondary winding, where the secondary winding includes a second number of turns greater than the first number of turns.

### BRIEF DESCRIPTION OF THE DRAWINGS

Having thus described the invention in general terms, reference will now be made to the accompanying drawings, which are not necessarily drawn to scale, and wherein:

FIG. 1A illustrates a circuit diagram of a voltage-boosting transformer in accordance with an example embodiment of the invention.

FIG. 1B illustrates a voltage-boosting transformer of that is utilized with differential amplifiers, according to an example embodiment of the invention.

FIG. 2A illustrates an example layout structure for an example transformer, according to an example embodiment of the invention.

FIG. 2B illustrates an example layout structure for an example transformer that may be utilized with differential amplifiers, according to an example embodiment of the invention.

FIG. 3 illustrates a circuit diagram of the example transformer that utilizes one or more tuning blocks, according to an example embodiment of the invention.

FIG. 4 illustrates an example layout structure for an example transformer utilizing one or more tuning blocks, according to an example embodiment of the invention.

FIG. 5A is a schematic diagram of an example tuning block, according to an example embodiment of the invention.

FIG. 5B illustrates another schematic diagram of an example tuning block, according to an example embodiment of the invention.

FIG. 5C illustrates another schematic diagram of an example tuning block, according to an example embodiment of the invention.

FIG. 6A illustrates an example embodiment of the invention in which a plurality of primary windings may be coupled to a single secondary winding.

FIG. 6B illustrates an example embodiment of the invention in which a plurality of primary windings may be coupled to a single secondary winding.

FIG. 7 illustrates a power amplifier system that includes a transformer in accordance with an example embodiment of the invention.

FIG. 8 is an example layout structure of an example transformer using two primary windings and a single secondary winding with the turn ratio from one primary winding to the single secondary winding being 1:2, according to an example embodiment of the invention.

FIG. 9 is an example layout structure of an example transformer using three primary windings and a single secondary winding with the turn ratio from one primary winding to the single secondary winding being 1:2, according to an example embodiment of the invention.

FIG. 10 illustrates an example layout structure for an example transformer that utilizes an auxiliary winding, according to an example embodiment of the invention.

FIG. 11 is an example layout structure of an example transformer using four primary windings and a single secondary winding with the turn ratio from one primary winding to the single secondary winding being 1:3, according to an example embodiment of the invention.

FIG. 12 illustrates an example planar substrate structure for implementing an example transformer, according to an example embodiment of the invention.

FIGS. 13 and 14 illustrate example stacked substrate structures for implementing example transformers, according to example embodiments of the invention.

FIG. 15 illustrates an example multi-layer substrate structure for implementing an example transformer, according to an example embodiment of the invention.

FIG. 16 illustrates example simulation results for an operation of an example transformer in accordance with an embodiment of the invention.

FIG. 17 illustrates example measured results for the operation of an example power amplifier utilizing example transformers in accordance with an embodiment of the invention.

#### DETAILED DESCRIPTION OF THE INVENTION

Example embodiments of the invention now will be described more fully hereinafter with reference to the accompanying drawings, in which some, but not all embodiments of the invention are shown. Indeed, these inventions may be embodied in many different forms and should not be construed as limited to the embodiments set forth herein; rather, these embodiments are provided so that this disclosure will satisfy applicable legal requirements. Like numbers refer to like elements throughout.

Example embodiments of the invention may provide for a power amplifier system, which may include one or more amplifiers, a plurality of primary transformer windings having  $N_1$  turns, and a single secondary transformer winding having  $N_2$  turns. The turn ratio from each of the multiple of primary windings to the secondary winding may be  $N_1:N_2$  with  $N_1 < N_2$ , thereby boosting the voltage of each of the primary windings to the secondary winding in the ratio of substantially  $N_2/N_1$ , according to an example embodiment of the invention. Each amplifier may include a differential input that is commonly coupled to a system input port, and each of the primary windings may be coupled to the differential output of one of the multiple of amplifiers, according to an example embodiment of the invention. The single secondary transformer winding may be inductively coupled to the primary transformer windings and may provide a system output port to which one or more loads may be coupled.

FIG. 1A illustrates a circuit diagram of a voltage-boosting transformer in accordance with an example embodiment of the invention. In particular, the transformer in FIG. 1A may include a plurality of primary windings **113**, **114** each having  $N_1$  turn(s) and a single secondary winding **115** having  $N_2$  turns. The primary windings **113**, **114** may be inductively coupled to the single secondary winding **115**. According to an example embodiment of the invention, the currents induced from each primary winding **113**, **114** may be summed in the same phase at the secondary winding **115**. The secondary winding **115** with  $N_2$  turns may provide a system output port **116** ( $V_{out}$ ) to which a load **117** ( $R_{load}$ ) may be coupled. In an example embodiment of the invention, the load **117** may be a switch, a multiplexer, a filter, an antenna, or yet other loads. According to an example embodiment, the turns ratio from each of the plurality of primary windings **113**, **114** to the secondary winding **115** may be  $N_1:N_2$  with  $N_1 < N_2$  in order to boost the voltage from each of the primary windings **113**, **114** to the secondary winding in the ratio of substantially  $N_2/N_1$ . In an example embodiment of the invention, where  $N_2$  is 2 turns and  $N_1$  is 1 turns, the turns ratio is  $1/2$ , and the voltage at the single secondary winding **115** may be boosted by a factor of 2 compared to the voltage in each of the primary windings **113**, **114**.

Still referring to FIG. 1A, the primary windings **113**, **114** may be connected to respective power amplifiers AMP1, AMP2, according to an example embodiment of the invention. The power amplifier AMP1 may include one or more inputs such as differential inputs **101** ( $V_{in 1+}$ ) and **104** ( $V_{in 1-}$ ), wherein input **101** may be a positive signal input and input **104** may be a negative signal input. Additionally, the amplifier AMP1 may include outputs such as outputs **109** and **110**, wherein output **109** may be a positive output and output **110** may be a negative output. The outputs **109**, **110** may be connected to the primary winding **113** of the transformer, according to an example embodiment of the invention.

Similarly, the power amplifier AMP2 may include one or more inputs such as differential inputs **105** ( $V_{in 2+}$ ) and **108** ( $V_{in 2-}$ ), wherein input **105** may be a positive signal input and input **108** may be a negative signal input. Likewise, the amplifier AMP 2 may include one or more outputs such as outputs **111** and **112**, wherein output **111** may be a positive output and output **112** may be a negative output. The outputs **111**, **112** may be connected to the primary winding **114** of the transformer, according to an example embodiment of the invention.

According to an example embodiment of the invention, the current provided to the secondary winding from each amplifier AMP 1, AMP 2 may be substantially  $i_1 = (N/M) \times i_2$ , where  $i_2$  is the current in the secondary winding, M is the number of primary windings **113**, **114**, and N is the turns ratio of each primary winding **113**, **114** turns to the secondary winding **115** turns. Likewise, the voltage provided to the secondary winding **115** from each amplifier AMP1, AMP 2 may be substantially  $v_1 = (1/N) \times v_2$ , where  $v_2$  is the voltage in the secondary winding, and N is the turns ratio from each primary winding **113**, **114** turns to the secondary winding **115** turns.

It will be appreciated that while only a single amplifier (e.g., AMP 1 or AMP 2) may be shown as being connected to respective primary windings **113**, **114** in FIG. 1A, other example embodiments of the invention may include a plurality of amplifiers connected to a primary winding **113**, **114**. It will be appreciated that in some embodiments of the invention, the plurality of primary windings **113**, **114** that are inductively coupled to the single secondary winding **115** may provide for impedance matching between the load **117** and the amplifiers AMP1, AMP 2.

FIG. 1B illustrates a voltage-boosting transformer that may be utilized with differential amplifiers, according to an example embodiment of the invention. In particular, as shown in FIG. 1B, a first amplifier may be comprised of transistors **102**, **103** while a second amplifier may be comprised of transistors **106**, **107**, which may include Metal Oxide Semiconductor Field Effect Transistors (MOSFETs), including Complementary Metal Oxide Semiconductor (CMOS) transistors. However, in another embodiment of the invention, these transistors **102** and **103** may also include Bipolar Junction Transistors (BJTs) or yet other types of transistors as well.

As shown in FIG. 1B, the source of transistor **102** may be connected to the source of transistor **103** and grounded, according to an example embodiment of the invention. The gate of transistor **102** may receive the positive signal input **101** while the gate of transistor **104** may receive the negative signal input **103**. The drain of transistor **102** may provide for the positive output **109** while the drain of transistor **103** may provide for the negative output **110**, according to an example embodiment of the invention. Likewise, the source of transistor **106** may be connected to the source of transistor **107** and grounded, according to an example embodiment of the invention. The gate of transistor **106** may receive the positive signal input **105** while the gate of transistor **107** may receive the negative signal input **108**. The drain of transistor **106** may provide for the positive output **111** while the drain of transistor **108** may provide for the negative output **112**, according to an example embodiment of the invention.

FIG. 1C illustrates a circuit diagram of a voltage-boosting transformer in accordance with an example embodiment of the invention. In particular, the transformer in FIG. 1C may include a plurality of primary windings **113**, **114** each having  $N_1$  turn(s) and a single secondary winding **115** having  $N_2$  turns. The primary windings **113**, **114** may be inductively coupled to the single secondary winding **115**. According to an example embodiment of the invention, the currents induced from each primary winding **113**, **114** may be summed in the same phase at the secondary winding **115**. The secondary winding **115** with  $N_2$  turns may provide a system output port **116** ( $V_{out}$ ) to which a load **117** ( $R_{load}$ ) may be coupled. In an example embodiment of the invention, the load **117** may be a switch, a multiplexer, a filter, an antenna, or yet other loads. According to an example embodiment, the turns ratio from each of the plurality of primary windings **113**, **114** to the secondary winding **115** may be  $N_1:N_2$  with  $N_1 < N_2$  in order to boost the voltage from each of the primary windings **113**, **114** to the secondary winding in the ratio of substantially  $N_2/N_1$ . In an example embodiment of the invention, where  $N_2$  is 2 turns and  $N_1$  is 1 turns, the turns ratio is  $1/2$ , and the voltage at the single secondary winding **115** may be boosted by a factor of 2 compared to the voltage in each of the primary windings **113**, **114**.

Still referring to FIG. 1B, each of the primary windings **113**, **114** may each include respective center tap port **118**, **119** corresponding to Vdd **1** and Vdd **2**. The center tap port **118**, **119** may be at virtual AC grounds when differential signals are generated by the respective first and second differential amplifiers for the respective primary windings **113**, **114**. The supply voltage of the differential amplifiers may be fed through the center tap ports **118**, **119**. According to an example embodiment of the invention, the positions of the center tap ports **118**, **119** may correspond to a middle or symmetrical position of the respective primary windings **113**, **114**. However, in another example embodiment of the invention, the positions of the center tap ports **118**, **119** may vary from a middle or symmetrical position depending on the magnitudes of the differential signals generated by the differential amplifiers.

FIG. 2A illustrates an example layout structure for an example transformer, according to an example embodiment of the invention. The transformer structure may include a plurality of primary windings in conjunction with a single secondary winding. Referring to FIG. 2, there may be two single-turn primary windings **213**, **214** and a single two-turn secondary winding **215**. The power amplifier AMP1 may receive inputs such as differential inputs **201** (Vin 1+), **204** (Vin 1-), and generate corresponding differential outputs **209**, **210** for the first single-turn primary winding **213**. Likewise, the power amplifier AMP 2 may receive inputs such as differential inputs **205** (Vin 2+), **208** (Vin 2-), and generate corresponding differential outputs **211**, **212** for the second single-turn primary winding **214**. According to an example embodiment of the invention, the flux or currents induced from each primary winding **213**, **214** may be summed in the same phase at the secondary winding **215**, according to an example embodiment of the invention. The two-turn secondary winding **215** may be connected a system output port **216** (Vout) to which a load **217** (Rload) may be coupled.

FIG. 2B illustrates an example layout structure for an example transformer that may be utilized with differential amplifiers, according to an example embodiment of the invention. As shown in FIG. 2, a first differential amplifier may be comprised of transistors **202** and **203**, while a second differential amplifier may be comprised of transistors **206**, **207**. According to an example embodiment of the invention, the generation of differential outputs **209**, **210** and **211**, **212** by the differential amplifiers may result in an AC virtual ground being present at center tap ports **218**, **219** in the respective primary windings **213**, **214**. According to an example embodiment of the invention, the supply voltage of the differential amplifiers may be provided through the ports **218**, **219**.

FIG. 3 illustrates a circuit diagram of an example transformer that utilizes one or more tuning blocks, according to an example embodiment of the invention. In particular, the circuit diagram of FIG. 3 illustrates two primary windings **113**, **114** each with  $N_1$  turns and a single secondary winding **115** with  $N_2$  turns. The first primary winding **113** may be connected to one or more first power amplifiers, which may be comprised of transistors **102**, **103**, according to an example embodiment of the invention. Likewise, the second primary winding **114** may be connected to one or more second power amplifiers, which may be comprised of transistors **106**, **107**, according to an example embodiment of the invention. According to an example embodiment of the invention, the transistors **102**, **103**, **106**, **107** may be MOSFETs. However, in other example embodiments of the invention, the transistors **102**, **103**, **106**, **107** may be BJTs or yet other types of transistors.

The first power amplifier comprised of transistors **102**, **103** may be configured as a differential amplifier having a positive signal input **101** and a negative signal input **104**, according to an example embodiment of the invention. Based upon the received signal inputs **101** and **104**, the first differential amplifier may provide a corresponding positive output **109** and a corresponding negative output **110**. The outputs **109**, **110** may be connected to the first primary winding **113**, according to an example embodiment of the invention. Similarly, the second power amplifier comprised of transistors **106**, **107** may also be configured as a differential amplifier having a positive signal input **105** and a negative signal input **108**, according to an example embodiment of the invention. Based upon the received signal inputs **105** and **108**, the second differential amplifier may provide a corresponding positive output **111** and a corresponding negative output **112**. The outputs **111**, **112** may be connected to the second primary winding **114**, according to an example embodiment of the invention.

According to an example embodiment of the invention, the two primary windings **113**, **114** may be inductively coupled to the secondary winding **115**. According to an example embodiment of the invention, the primary windings **113**, **114** may each have  $N_1$  turn(s) while the secondary winding may have  $N_2$  turns, where  $N_2 > N_1$  in order to boost the voltage of the secondary winding compared to the primary windings **113**, **114**. The secondary winding may provide for a system output port **116** (Vout), which may be coupled, for example, to a load **117** (Rload).

According to an example embodiment of the invention, the use of differential amplifiers with the primary windings **118**, **119** may provide for respective center tap ports **118**, **119**. According to an example embodiment of the invention, each center tap port **118**, **119** may be at a virtual AC ground. The supply voltage for the differential amplifiers may be provided through the respective center tap ports **118**, **119**, according to an example embodiment of the invention. According to an example embodiment of the invention, a first tuning block **320** may be provided at center tap port **118** for the primary winding **118**. Likewise, a second tuning block **321** may be provided at a center tap port **119** for the primary winding **114**. The tuning blocks **320**, **321** may be operative to control, adjust, filter, or otherwise tune the frequency bands of coupling, according to an example embodiment of the invention.

FIG. 4 illustrates an example layout structure for an example transformer utilizing one or more tuning blocks, according to an example embodiment of the invention. The transformer may include a plurality of primary windings that are inductively coupled to a secondary winding, according to an example embodiment of the invention. As shown in FIG. 4, there may be two primary windings **213**, **214** each having a single turn ( $N_1=1$ ), and a secondary winding **215** having two turns ( $N_2=2$ ). The primary winding **213** may be connected to a first amplifier such as a differential amplifier comprised of transistors **202**, **203** having a positive signal input **201** and a negative signal input **204**. The first amplifier may provide for a positive output **209** and a negative output **210** to the primary winding **213**. Likewise, the primary winding **214** may be connected to a second amplifier such as a differential amplifier comprised of transistors **206**, **207** having a positive signal input **205** and a negative signal input **208**. The second amplifier may provide for a positive output **211** and a negative output **212** to the primary winding **214**.

According to an example embodiment of the invention, the generation of differential outputs **209**, **210** and **211**, **212** by the differential amplifiers may result in an AC virtual ground being present at center tap ports **218**, **219** in the respective

primary windings **213**, **214**. According to an example embodiment of the invention, the supply voltage of the differential amplifier may be provided through the ports **218**, **219**. According to an example embodiment of the invention, a first tuning block **420** may be connected to the first center tap port **218**, while a second tuning block **421** may be connected to the second center tap port **219**. It will be appreciated that the first and second tuning blocks **420**, **421** may be fabricated as party of the same substrate(s) as the transformer structure or as discrete modules that are in communication with the transformer layout structure, according to an example embodiment of the invention.

The tuning blocks introduced in FIGS. **3** and **4** may be implemented in a variety of ways in accordance with example embodiments of the invention. According to an example embodiment of the invention, the tuning blocks may comprise resonant circuits. FIGS. **5A**, **5B**, and **5C** illustrate some examples of resonant circuits that may be utilized as tuning blocks for the transformers, according to an example embodiment of the invention.

FIG. **5A** is a schematic diagram of an example tuning block, according to an example embodiment of the invention. As shown in FIG. **5**, the tuning block may be a resonant circuit comprised of a capacitive component **501** and an inductive component **502** connected in series, according to an example embodiment of the invention. The port **500** of the resonant circuit may be connected to a center tap port of a primary winding, according to an example embodiment of the invention. The resonant circuit of FIG. **5A** may have an associated resonant frequency  $f_n$  **503**, according to an example embodiment of the invention.

FIG. **5B** illustrates another schematic diagram of an example tuning block, according to an example embodiment of the invention. As shown in FIG. **5B**, the tuning block may be a resonant circuit comprised of a capacitive component **511** in parallel with an inductive component **512**. The port **510** of the resonant circuit may be connected to a center tap port of a primary winding, according to an example embodiment of the invention. The resonant circuit may have a resonant frequency  $f_n$  **513**, according to an example embodiment of the invention.

FIG. **5C** illustrates another schematic diagram of an example tuning block, according to an example embodiment of the invention. As shown in FIG. **5C**, there may be resonant circuit having a plurality of resonant frequencies such as resonant frequencies  $f_{n1}$  **527**,  $f_{n2}$  **528**, and  $f_{n3}$  **528**. For example, capacitive component **521** and inductive component **522** may be connected in series to provide resonant frequency  $f_{n1}$  **527**. Likewise, capacitive component **523** may be connected in series to inductive component **524** to provide resonant frequency  $f_{n2}$  **528**. Additionally, capacitive component **525** may be connected in series with inductive component **526** to provide resonant frequency  $f_{n3}$  **529**. It will be appreciated that while FIG. **5C** illustrates a particular configuration for a resonant circuit, other embodiments of the invention may include varying types of series/parallel resonant circuits without departing from example embodiments of the invention. The port **520** of the resonant circuit may be connected to a center tap port of a primary winding, according to an example embodiment of the invention. Furthermore, while the tuning blocks are illustrated as being connected at the center tap ports, other embodiments of the invention may connect the tuning blocks to the primary windings in other locations as well.

It will be appreciated that the values and parameters of the capacitive and inductive components of FIGS. **5A-5C** may be selected to have one or more desired resonant frequencies.

According to an example embodiment of the invention, the one or more resonant frequencies of the tuning block may be operative to filter undesirable harmonics at the one or more resonant frequencies, thereby controlling the frequencies of coupling.

FIG. **6A** illustrates an example embodiment of the invention in which a plurality of primary windings may be coupled to a single secondary winding. In particular, in FIG. **6A**, there is illustrated  $n$  number of primary windings **616a-n** each with  $N_1$  turns. The  $n$  number of primary windings **616a-n** may be inductively coupled to a single secondary winding **619** with  $N_2$  turns, where  $N_2 > N_1$ . The output **610a-n**, **611a-n** of each differential power amplifier **607a-n** may be connected to the respective input of primary windings **616a-n**. In particular, the positive signal outputs **610a-n** and the corresponding negative signal outputs **611a-n** of the differential amplifiers may be connected the input of the respective primary windings **616a-n**. The positive signal inputs **601a-n** and the corresponding negative signal inputs **602a-n** may be provided to the respective amplifiers such as differential amplifiers **607a-n**. Each of the flux or currents induced by the multiple primary windings **616a-n** may be summed in the same phase at the secondary winding **619**, according to an example embodiment of the invention. The secondary winding **619** may provide a system output port **620** (Vout) to which a load **621** (Rload) may be coupled. Virtual AC grounds may be available at the center tap ports **622a-n** where the differential signals of the respective differential amplifiers **607a-n** induce to the primary winding. Therefore, the supply voltage of the differential amplifier may be fed through ports **622a-n**. According to an example embodiment, tuning blocks, which may include resonant circuits as described herein, may also be provided at the center-tap ports **622a-n**.

FIG. **6B** illustrates an example embodiment of the invention in which a plurality of primary windings may be coupled to a single secondary winding. FIG. **6B** illustrates that the amplifiers utilized with the transformers may be differential amplifiers. As shown in FIG. **6B**, there may be a plurality of differential amplifiers connected to respective primary windings **616a-n**. As shown in FIG. **6B**, a first differential amplifier may be comprised of transistors **607a** and **608a**, according to an example embodiment of the invention. Likewise, a second differential amplifier may be comprised of transistors **607b** and **608b**. Similarly, the  $n$ th differential amplifier may be comprised of transistors **607n** and **608n**.

FIG. **7** illustrates a power amplifier system **700** that includes a transformer in accordance with an example embodiment of the invention. As shown in FIG. **7**, the power amplifier system **700** may include a balun **750**, a first stage driver amplifier **760**, second stage driver amplifiers **770a** and **770b**, power amplifiers **780a** and **780b**, and an output transformer **790**.

During operation of the power amplifier system **700**, an input signal may be provided to the input port **701** of the balun **750**. In an example embodiment of the invention, the balun **750** may be a transformer **702** (e.g., 3:4 turn transformer) for converting a single-ended input signal into differential signals **703**, **704**. It will be appreciated that the single-ended input signal may be baseband signal or a radio frequency signal in accordance with an example embodiment of the invention. According to an example embodiment of the invention, the balun **750** may also serve as a DC block. The first stage driver amplifier **760** may be an inverting amplifier that amplifies the differential signals **703**, **704** to generate the amplified differential signals **706**, **707**. The amplified differential signals **706**, **707** may be output from the first stage driver amplifier **760** and provide as inputs of the second stage

driver amplifiers **770a**, **770b**, which then respectively generates amplified outputs **710**, **711** and **712**, **713**. According to an example embodiment of the invention, the outputs **710**, **711** and **712**, **713** of the respective second stage driver amplifiers **508**, **509** may then be provided to the power amplifiers **780a**, **780b**. The power amplifiers **780a**, **780b** may utilize a cascode topology in order to be more robust against susceptible voltage stress of submicron CMOS devices, according to an example embodiment of the invention. According to an example embodiment of the invention, the power amplifier **780a** may include a stack of CMOS devices **714** and **715**, which may be common-source CMOS transistors, according to an example embodiment of the invention. Additionally, the power amplifier **780a** may also include CMOS devices **718**, **719**, which may be common-gate transistors, according to an example embodiment of the invention. Similarly, the power amplifier **780b** may include a stack of CMOS devices **716**, **717**, which may be common-source transistors, according to an example embodiment of the invention. The power amplifier **780b** may also include CMOS devices **720**, **721**, which may be common-gate transistors, according to an example embodiment of the invention. The outputs of the power amplifier **780a** may be provided at outputs **722**, **723** while the outputs of the power amplifier **780b** may be provided at outputs **724**, **725**. The gain provided by the power amplifiers **780a**, **780b** may be adjusted at the power amplifier (PA) control port **732**, which may provide a bias voltage to the gates of the common-gate transistors **718**, **719** and **720**, **721**, according to an example embodiment of the invention.

Still referring to FIG. 7, the primary windings **726**, **727** of the output transformer **790** may be connected to the respective outputs **722**, **723** and **724**, **725**. Using the transformer **790**, the output powers provided to each of the primary windings **726**, **727** may be inductively combined at the secondary winding **728**. According to an example embodiment of the invention, each primary winding **726**, **727** may have  $N_1$  turn (s) while the secondary winding **728** may have  $N_2$  turns, with  $N_2 > N_1$  to boost the voltage at the secondary winding **728**. The primary windings **726**, **727** may be positioned, perhaps in parallel, to add flux or currents in the same phase in the secondary winding **728**, according to an example embodiment of the invention. The central tap ports **730** and **731** may be the virtual AC ground when the differential signals of the differential amplifiers such as amplifiers **780a**, **780b** are provided to the primary windings **726**, **727**. Therefore, according to an example embodiment of the invention, the supply voltage of the differential amplifier may be fed through the ports **730**, **731**. Additionally or alternatively, one or more tuning blocks as described herein may likewise be provided at the center tap ports **730**, **731**. According to an example embodiment of the invention, the transformer **790** may be fabricated on a silicon substrate, although other substrates may be utilized without departing from embodiments of the invention.

#### Example Embodiments of Transformer Layout Structures

FIGS. 8-11 illustrate a variety of example layout structures for implementing voltage-boosting transformers in accordance with example embodiments of the invention. According to an example embodiment of the invention, the primary transformer windings and the single secondary transformer winding may be spatially interweaved on a substrate to reduce the total area of the transformer.

FIG. 8 illustrates an example layout structure of a transformer that may include two one-turn primary windings **807**, **808** and a single two-turn secondary winding **809**, according to an example embodiment of the invention. In FIG. 8, two single-turn primary windings **807**, **808** and a single two-turn secondary winding **809** may be utilized to combine currents

from two differential pairs of positive ports positive ports **801**, **803** and respective negative ports **802**, **804**. According to an example embodiment of the invention, magnetically induced currents by excitation of two primary windings **807**, **808** may be added together at the secondary winding **809** in the same phase. The transformer may be designed such that the currents of primary windings **807**, **808** are in the same direction to prevent self-cancellation, according to an example embodiment of the invention.

FIG. 9 illustrates an example layout structure of a transformer that may include three one-turn primary windings **909**, **910**, **911** and a single two-turn secondary winding **912**, according to an example embodiment of the invention. The three one-turn primary windings **909**, **910**, **911** and the single two-turn secondary winding **912** may be utilized to combine currents from three differential pairs of positive ports **901**, **903**, **905** and corresponding negative ports **902**, **904**, **906**. Magnetically induced currents by excitation of three primary windings **909**, **910**, **911** may be added together at the secondary winding **912** in the same phase, according to an embodiment of the invention. The transformer may be designed such that the currents of primary windings **909**, **910**, **911** are in the same direction to prevent self-cancellation, according to an example embodiment of the invention.

FIG. 10 illustrates an example layout structure of a transformer of an example power amplifier system with an auxiliary winding adjacent to or substantially encapsulating a portion of the transformer, according to an example embodiment of the invention. In particular, FIG. 10 illustrates the example layout structure for a transformer of FIG. 9 with an additional auxiliary winding **1002**. According to an example embodiment of the invention, the auxiliary winding **1002** may be coupled to a transformer to sense an amount of coupling between the primary windings **909**, **910**, **911** and the secondary winding **912**. It will be appreciated that while the auxiliary winding **1002** illustrated in FIG. 10 may be varied according to example embodiments of the invention. For example, an auxiliary winding for power sensing may be placed adjacent to one side of a transformer to sense an amount of coupling. According to another example, an auxiliary winding for power sensing may be placed adjacent to one side or a plurality of sides of a transformer to sense an amount of coupling. Furthermore, while an auxiliary winding has been illustrated with respect to an example transformer of FIG. 9, the auxiliary winding is likewise application to other transformers, including those described herein, according to example embodiments of the invention.

FIG. 11 illustrates an example physical layout of a transformer that includes four one-turn primary windings **1111**, **1112**, **1113**, **1114** and a single three-turn secondary winding **1115**. Four single-turn primary windings **1111**, **1112**, **1113**, **1114** and a single three-turn secondary winding **1115** may be employed to combine currents from four differential pairs with positive ports **1101**, **1103**, **1105**, **1107** and corresponding negative ports **1102**, **1104**, **1106**, **1108**. Magnetically induced currents by excitation of four primary windings **1111**, **1112**, **1113**, **1114** may be added together at the secondary winding **1115** in the same phase, according to an example embodiment of the invention. The transformer may be designed such that the currents of primary windings may be in the same direction to prevent self-cancellation.

It will be appreciated that transformers in accordance with embodiments of the invention may include a plurality of primary windings with  $N_1$  turns and a single secondary winding with  $N_2$  turns. According to an example embodiment of the invention,  $N_2 > N_1$  in order to boost the voltage at the secondary winding. While FIGS. 8-11 have illustrated



11

example transformers with 2, 3, or 4 primary windings, it will be appreciated that other embodiments of the invention may include more primary windings than those shown in FIGS. 8-11.

According to an example embodiment of the invention, the layouts for the transformers described herein may be implemented utilizing a planar structure, stacked structure, or a multi-layer structure. With a planar structure, all of the primary windings may be placed in parallel. However, a secondary winding with multiple turns may be placed between one of the primary windings and another one of the primary windings such that one primary winding does not neighbor another primary winding. For example, as shown in the example planar substrate structure of FIG. 12, a first primary winding may be fabricated entirely on first metal layer 1202 while a second primary winding may also be fabricated substantially on the same first metal layer 1202, with cross-over/interleaved sections being routed using one or more via connections 1204. Likewise, a secondary multi-turn winding may also be fabricated substantially on the surface between the primary windings, with cross-over sections being routed using one or more via connections 1204.

According to another example embodiment of the invention, the layouts for the transformers may be implemented utilizing a stacked structure. With an example stacked structure, all of the primary windings may be placed in parallel and neighboring each other on one of metal layer, and the secondary winding may be placed in another metal layer. For example, in the stacked substrate structure of FIG. 13, the primary windings may be formed on metal layer 1302 while the secondary winding may be formed on metal layer 1304, according to an example embodiment of the invention.

According to another example embodiment of the invention, the multi-primary transformer may be implemented in another stacked structure, where each primary winding may be placed in parallel in each different layer, but the layers of the primary windings may not be vertically neighboring each other, wherein the secondary winding with multiple turns may be placed between one layer of the primary windings and another layer of primary windings, wherein the multiple turns of the secondary winding may occupy multiple layers connected with vias. For example, in the example stacked substrate structure of FIG. 14, a first primary winding may be formed on metal layer 1402 while a second primary winding may be formed on another metal layer 1406. The single secondary winding having multiple turns may be formed using a combination of metal layers 1404 and 1408 and connected by at least one via 1410, according to an example embodiment of the invention.

According to another example embodiment of the invention, the multi-primary transformer may be implemented in a multi-layer structure. With the multilayer structure, each primary winding may be fabricated using two or more layers and connected by vias. Likewise, the secondary winding may be fabricated using two or more layers and connected by vias. For example, as shown in FIG. 15, a first primary winding may be fabricated on a first part of the first metal layer 1502 and a first part of the third metal layer 1506 and connected by at least one first via 1510. Similarly, a second primary winding may be fabricated on a second part of the first metal layer 1502 and a second part of the third metal layer 1506 and connected by at least one second via 1512. According to an example embodiment of the invention, the single secondary winding may be fabricated on the second metal layer 1504 and the fourth metal layer 1508 and connected by at least one third via 1508.

12

In accordance with an embodiment of the invention, the core of the power amplifiers and the transformer windings may be spatially separated from each other to reduce the magnetic coupling from the transformer to the core of the power amplifiers and thereby reduce the possibility of instability. In accordance with another embodiment of the invention, the spatially separated transformer from the core of the power amplifiers may be implemented on a separate substrate provided by a different technology. Accordingly, the transformer and the power amplifiers need not be limited to a single fabrication technology. According to another embodiment of the invention, the spatially interweaved transformer may be compact in size. Many other variations of the transformers and power amplifiers are available without departing from embodiments of the invention.

#### EXAMPLE SIMULATION AND EXPERIMENTAL RESULTS

FIG. 16 illustrates example simulation results for an operation of an example transformer in accordance with an embodiment of the invention. Specifically, the simulation results illustrate the transformer loss(dB) as a function of frequency (GHz) As shown in FIG. 16, graph 1602 illustrates a transformer utilizing center-tap tuning while graph 1604 illustrates a transformer without utilizing center-tap tuning. In both cases, the transformers show a lower loss at the fundamental frequency of operation than at high harmonic frequencies. In the case of the transformer utilizing center-tap tuning, there is a higher loss at the second and third harmonic frequencies.

FIG. 17 illustrates example measured results for the operation of an example power amplifier utilizing example transformers in accordance with an embodiment of the invention. These measurement results illustrate the output power and the power added efficiency of such an example power amplifier. As shown in FIG. 17, the measured results meet the demand of the power amplifier capability in the frequency range between 1700 MHz~2000 MHz. An output power of 31.2 dBm at 1.8 GHz and the corresponding power added efficiency 41% was obtained with a 3.3 V power supply.

Many modifications and other embodiments of the inventions set forth herein will come to mind to one skilled in the art to which these inventions pertain having the benefit of the teachings presented in the foregoing descriptions and the associated drawings. Therefore, it is to be understood that the inventions are not to be limited to the specific embodiments disclosed and that modifications and other embodiments are intended to be included within the scope of the appended claims. Although specific terms are employed herein, they are used in a generic and descriptive sense only and not for purposes of limitation.

What is claimed is:

1. A power amplifier system, comprising:

a plurality of power amplifiers, wherein each power amplifier includes at least one output port;

a plurality of primary windings each having a first number of turns, wherein each primary winding is connected to at least one output port of the plurality of power amplifiers, and wherein each of the plurality of primary windings includes a center-tap port for connecting one or more electrical components, wherein the one or more electrical components comprise at least one voltage supply or at least one tuning block, wherein the at least one tuning block includes one or more resonant circuits; and

## 13

a single secondary winding inductively coupled to the plurality of primary windings, wherein the secondary winding includes a second number of turns greater than the first number of turns.

2. The system of claim 1, wherein the center-tap port includes an AC virtual ground.

3. The system of claim 1, wherein the one or more resonant circuits includes one or more capacitive components and one or more inductive components that are connected in series or parallel.

4. The system of claim 1, wherein the at least one tuning block utilizes the resonant circuits to selectively enhance or suppress one or more frequency components.

5. The system of claim 1, wherein the primary windings are arranged relative to the single secondary winding such that flux or currents induced by the primary windings in the secondary winding are summed in phase.

6. The system of claim 1, wherein the single secondary winding is interleaved between primary windings having a same current flow direction, and wherein the plurality of primary windings and the single secondary winding are fabricated using a (i) planar structure, (ii) a stacked structure, or (iii) a multi-layer structure.

7. The system of claim 6, wherein the plurality of primary windings and the single secondary winding are fabricated using a planar structure having a metal layer, wherein the plurality of the primary windings are fabricated on the metal layer as parallel primary windings, and wherein the secondary winding is fabricated on the metal layer and positioned between adjacent primary windings of the plurality of primary windings.

8. The system of claim 6, wherein the plurality of primary windings and the single secondary winding are fabricated using a stacked structure having a first metal layer and a second metal layer opposite the first metal layer, wherein the plurality of primary windings are fabricated on the first metal layer, and the single secondary winding is fabricated on the second metal layer.

9. The system of claim 6, wherein the plurality of primary windings and the single secondary winding are fabricated using a stacked structure having a first metal layer, a second metal layer, a third metal layer, and a fourth metal layer, wherein the first and second metal layers sandwich the third metal layer, and wherein the third metal layer and the fourth metal layer sandwich the second metal layer, and wherein a first primary winding of the plurality of primary windings is fabricated on the first metal layer, a second primary winding of the plurality of primary windings is fabricated on the second metal layer, and the single secondary winding is fabricated on the third metal layer and the fourth metal layer, wherein the third metal layer and the fourth metal layer are connected by at least one via.

10. The system of claim 6, wherein the plurality of primary windings and the single secondary winding are fabricated using a multi-layer structure having a first metal layer, a second metal layer, a third metal layer, and a fourth metal layer, wherein the first and second metal layers sandwich the third metal layer, and wherein the third metal layer and the fourth metal layer sandwich the second metal layer, wherein a first primary winding of the plurality of primary windings is fabricated on a first part of the first metal layer and a first part of the second metal layer, wherein the first part of the first metal layer and the first part of the second metal layer are connected by at least one first via, wherein a second primary winding of the plurality of primary windings is fabricated on a second part of the first metal layer and a second part of the second metal layer, wherein the second part of the first metal

## 14

layer and the second part of the second metal layer are connected by at least one second via, and wherein the single secondary winding is fabricated on the third metal layer and the fourth metal layer, wherein the third metal layer and the fourth metal layer are connected by at least one third via.

11. The system of claim 1, wherein the plurality of primary windings and the single secondary winding form a transformer, and further comprising an auxiliary winding that is adjacent to one or more sides of the transformer to sense an amount of coupling between the plurality of primary windings and the single secondary winding.

12. A method for providing a power amplifier system, comprising:

providing a plurality of power amplifiers, wherein each power amplifier includes at least one output port;

connecting the at least one output port of each power amplifier to one of a plurality of primary windings, wherein each of the plurality of windings includes a first number of turns, and wherein each of the plurality of primary windings includes a center-tap port for connecting one or more electrical components, wherein the one or more electrical components comprise at least one voltage supply or at least one tuning block, wherein the at least one tuning block includes one or more resonant circuits; and

inductively coupling the plurality of primary windings to a single secondary winding, wherein the secondary winding includes a second number of turns greater than the first number of turns.

13. The method of claim 12, wherein the center-tap port includes an AC virtual ground.

14. The method of claim 12, wherein the one or more resonant circuits includes one or more capacitive components and one or more inductive components that are connected in series or parallel.

15. The method of claim 12, wherein the at least one tuning block utilizes the resonant circuits to selectively enhance or suppress one or more frequency components.

16. The method of claim 12, wherein the single secondary winding is interleaved between primary windings having a same current flow direction, and wherein the plurality of primary windings and the single secondary winding are fabricated using a (i) planar structure, (ii) a stacked structure, or (iii) a multi-layer structure.

17. The method of claim 16, wherein the plurality of primary windings and the single secondary winding are fabricated using a planar structure having a metal layer, and further comprising fabricating the plurality of primary windings on the metal layer as parallel primary windings, and fabricating the secondary winding on the metal layer such that the secondary winding is positioned between adjacent primary windings of the plurality of primary windings.

18. The method of claim 16, wherein the plurality of primary windings and the single secondary winding are fabricated using a stacked structure having a first metal layer and a second metal layer opposite the first metal layer, and further comprising fabricating the plurality of primary windings on the first metal layer, and fabricating the single secondary winding on the second metal layer.

19. The method of claim 16, wherein the plurality of primary windings and the single secondary winding are fabricated using a stacked structure having a first metal layer, a second metal layer, a third metal layer, and a fourth metal layer, wherein the first and second metal layers sandwich the third metal layer, and wherein the third metal layer and the fourth metal layer sandwich the second metal layer, and further comprising:

15

fabricating a first primary winding of the plurality of primary windings on the first metal layer;  
 fabricating a second primary winding of the plurality of primary windings on the second metal layer; and  
 fabricating the single secondary winding on the third and fourth metal layers, wherein the third and fourth metal layers are connected by at least one via.

20. The method of claim 16, wherein the plurality of primary windings and the single secondary winding are fabricated using a multi-layer structure having a first metal layer, a second metal layer, a third metal layer, and a fourth metal layer, wherein the first and second metal layers sandwich the third metal layer, and wherein the third metal layer and the fourth metal layer sandwich the second metal layer, and further comprising:

fabricating a first primary winding of the plurality of primary windings on a first part of the first metal layer and a first part of the second metal layer, wherein the first

16

part of the first metal layer and the first part of the second metal layer are connected by at least one first via;  
 fabricating a second primary winding of the plurality of primary windings on a second part of the first metal layer and a second part of the second metal layer, wherein the second part of the first metal layer and the second part of the second metal layer are connected by at least one second via; and  
 fabricating the single secondary winding on the third and fourth metal layers, wherein the third and fourth metal layers are connected by at least one third via.

21. The method of claim 12, wherein the plurality of primary windings and the single secondary winding form a transformer, and further comprising:  
 positioning an auxiliary winding adjacent to one or more sides of the transformer to sense an amount of coupling between the plurality of primary windings and the single secondary winding.

\* \* \* \* \*