



US006033587A

United States Patent [19]

[11] Patent Number: **6,033,587**

Martin et al.

[45] Date of Patent: **Mar. 7, 2000**

[54] **METHOD AND APPARATUS FOR LOW ENERGY ELECTRON ENHANCED ETCHING AND CLEANING OF SUBSTRATES IN THE POSITIVE COLUMN OF A PLASMA**

[75] Inventors: **Kevin P. Martin**, Atlanta, Ga.; **Harry P. Gillis**, Los Angeles; **Dmitri A. Choutov**, Santa Clara, both of Calif.

[73] Assignee: **Georgia Tech Research Corporation**, Atlanta, Ga.

[21] Appl. No.: **08/984,225**

[22] Filed: **Dec. 3, 1997**

Related U.S. Application Data

[60] Provisional application No. 60/028,621, Dec. 3, 1996, provisional application No. 60/026,985, Sep. 20, 1996, and provisional application No. 60/026,587, Sep. 20, 1996.

[51] **Int. Cl.⁷** **C23F 1/002**

[52] **U.S. Cl.** **216/71**; 216/67; 156/345

[58] **Field of Search** 156/345; 204/298.31, 204/298.34; 216/71; 118/723 E, 723 R; 438/729, 730, 731; 430/906; 134/1.1, 1.2, 19, 21, 25.1

[56] References Cited

U.S. PATENT DOCUMENTS

3,879,597	4/1975	Bersin et al.	219/121.36
4,031,424	6/1977	Penfold et al.	204/192.12
4,259,145	3/1981	Harper et al.	156/643
4,298,443	11/1981	Maydan	204/192
4,309,267	1/1982	Boyd et al.	204/298
4,450,787	5/1984	Weakliem et al.	118/723
4,496,881	1/1985	Cheever	315/357
4,874,459	10/1989	Coldren et al.	156/643
5,003,178	3/1991	Livesay	250/492.3
5,039,376	8/1991	Zukotynski et al.	156/643
5,138,169	8/1992	Yamazaki et al.	250/398
5,145,554	9/1992	Seki et al.	438/712
5,368,676	11/1994	Nagaseki et al.	156/345
5,453,305	9/1995	Lee	427/562
5,457,298	10/1995	Nelson et al.	219/121.52
5,556,501	9/1996	Collins et al.	156/345

OTHER PUBLICATIONS

S. Veprek et al., "The Preparation Of Thin Layers Of Ge And Si By Chemical Hydrogen Plasma Transport," Solid-State Electronics Pergamon Press 1968, vol. 11, pp. 683-684.

S. Veprek et al., "Parameters Controlling The Deposition Of Amorphous And Microcrystalline Silicon In Si/H Discharge Plasmas," Journal De Physique (Paris) 42, C4-251 (1981).

S. Veprek, "Highlights Of Preparative Solid State Chemistry In Low Pressure Plasmas," Pure & Appl. Chem., vol. 54, No. 6, pp. 1197-1220, 1982.

H.P. Gillis et al., "Low Energy Electron-Enhanced Etching Of Si(100) In Hydrogen/Helium Direct-Current Plasma," Appl. Phys. Lett. 66 (19), May 8, 1995.

H.P. Gillis et al., "Low Energy Electron-Enhanced Etching Of GaAs(100) In A Chlorine/Hydrogen DC Plasma," Appl. Phys. Lett. 68(16), Apr. 15, 1996.

H.P. Gillis et al. "Low Energy Electron-Enhanced Etching Of GaN/Si In Hydrogen Direct Current Plasma," J. Electrochem Soc., vol. 143, No. 11, Nov. 1996.

H.P. Gillis et al., "The Dry Etching Of Group III-Nitride Wide-Bandgap Semiconductors," Journal of Materials, 48, 50-55 (1996).

(List continued on next page.)

Primary Examiner—Randy Gulakowski

Assistant Examiner—Allan Olsen

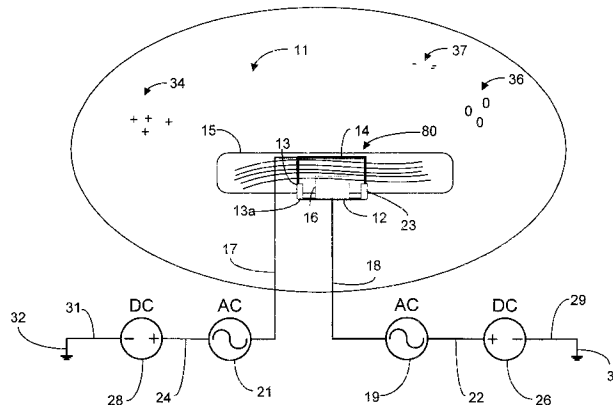
Attorney, Agent, or Firm—Thomas, Kayden, Horstemeyer & Risley, L.L.P.

[57] ABSTRACT

A method of low-damage, anisotropic etching and cleaning of substrates including mounting the substrate upon a mechanical support located within the positive column of a plasma discharge generated by either an ac or dc plasma reactor. The mechanical support is independent of the plasma reactor generating apparatus and capable of being electrically biased. The substrate is subjected to the positive column, or electrically neutral portion, of a plasma of low-energy electrons and a species reactive with the substrate. An additional structure capable of being electrically biased can be placed within the plasma to control further the extraction or retardation of particles from the plasma.

43 Claims, 6 Drawing Sheets

10 →



OTHER PUBLICATIONS

- E. Wiberg et al., "Hydrides of the Elements of Main Groups I-IV," New York, 1971, Chapter 6, pp. 443-460.
- P. Breisacher et al., "Comparative Stabilities Of Gaseous Alane, Gallane, And Indane," *Journal of the American Chemical Society*, pp. 4255-4258, 87:19, Oct. 5, 1965.
- K. Choquette et al., "Hydrogen Plasma Processing Of GaAs And AlGaAs," *J. Vac. Sci. Technol. B*, vol. 11, No. 6, Nov./Dec. 1993, pp. 2025-2032.
- J.R. Creighton, "Hydrogen Chemisorption And Reaction On GaAs(100)," *J. Vac. Sci. Technol. A* 8 (6), Nov./Dec. 1990, pp. 3984-3987.
- S. Veprek et al., "Electron-Impact-Induced Anisotropic Etching Of Silicon By Hydrogen," *Plasma Chemistry and Plasma Processing*, vol. 2, No. 3, 1982.
- A.P. Webb, "Reactivity Of Solid Silicon With Hydrogen Under Conditions Of A Low Pressure Plasma," *Chemical Physics Letters*, vol. 62, No. 1, Mar. 15, 1979, pp. 173-177.
- H.P. Gillis et al., "Low-Energy Electron Beam Enhanced Etching Of Si(100)-(2x1) By Molecular Hydrogen," *J. Vac. Sci. Technol. B*, vol. 10, No. 6, Nov./Dec. 1992.
- H.P. Gillis et al., "Highly Anisotropic, Ultra-smooth Patterning of GaN/SiC by Low Energy Electron Enhanced Etching in DC Plasma," *J. Electronic Mat.* 26, 301-305 (1997), pp. 1-16.
- H. Watanabe et al., "Electron-beam-assisted Dry Etching for GaAs Using Electron Cyclotron Resonance Plasma Electron Source," *Appl. Phys. Lett.* 61 (25), Dec. 21, 1992, pp. 3011-3013.

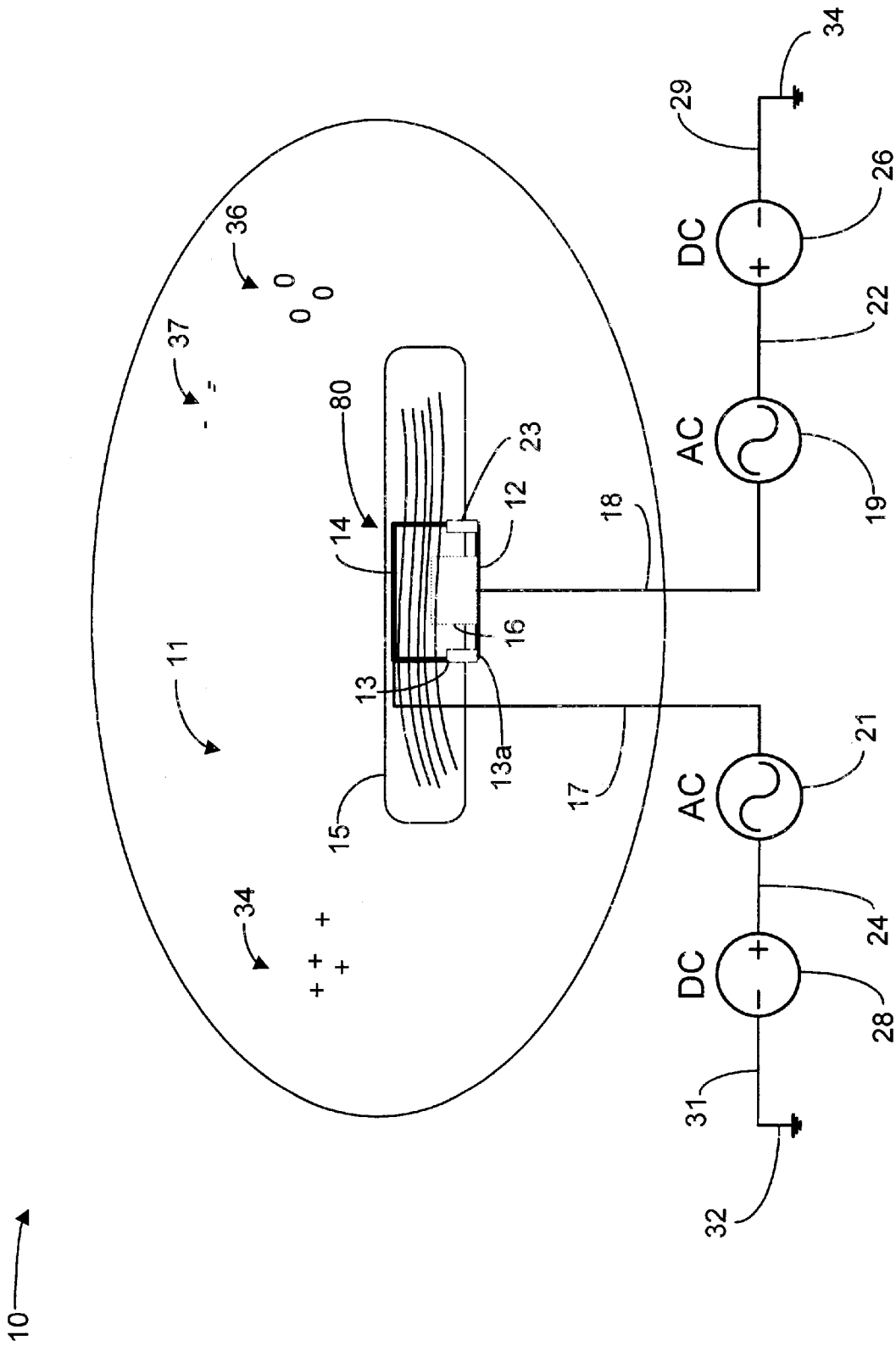


Fig. 1

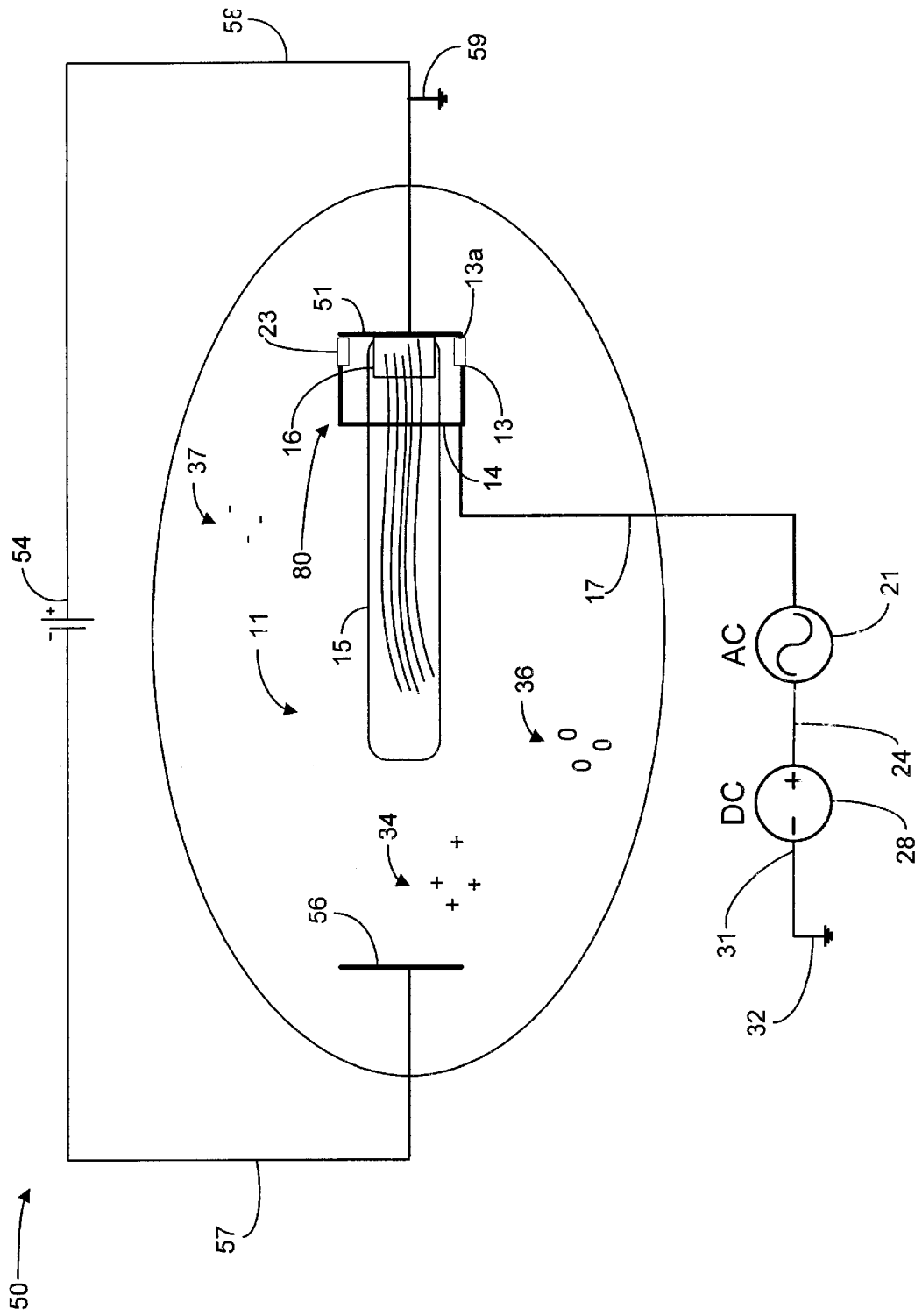


Fig. 2

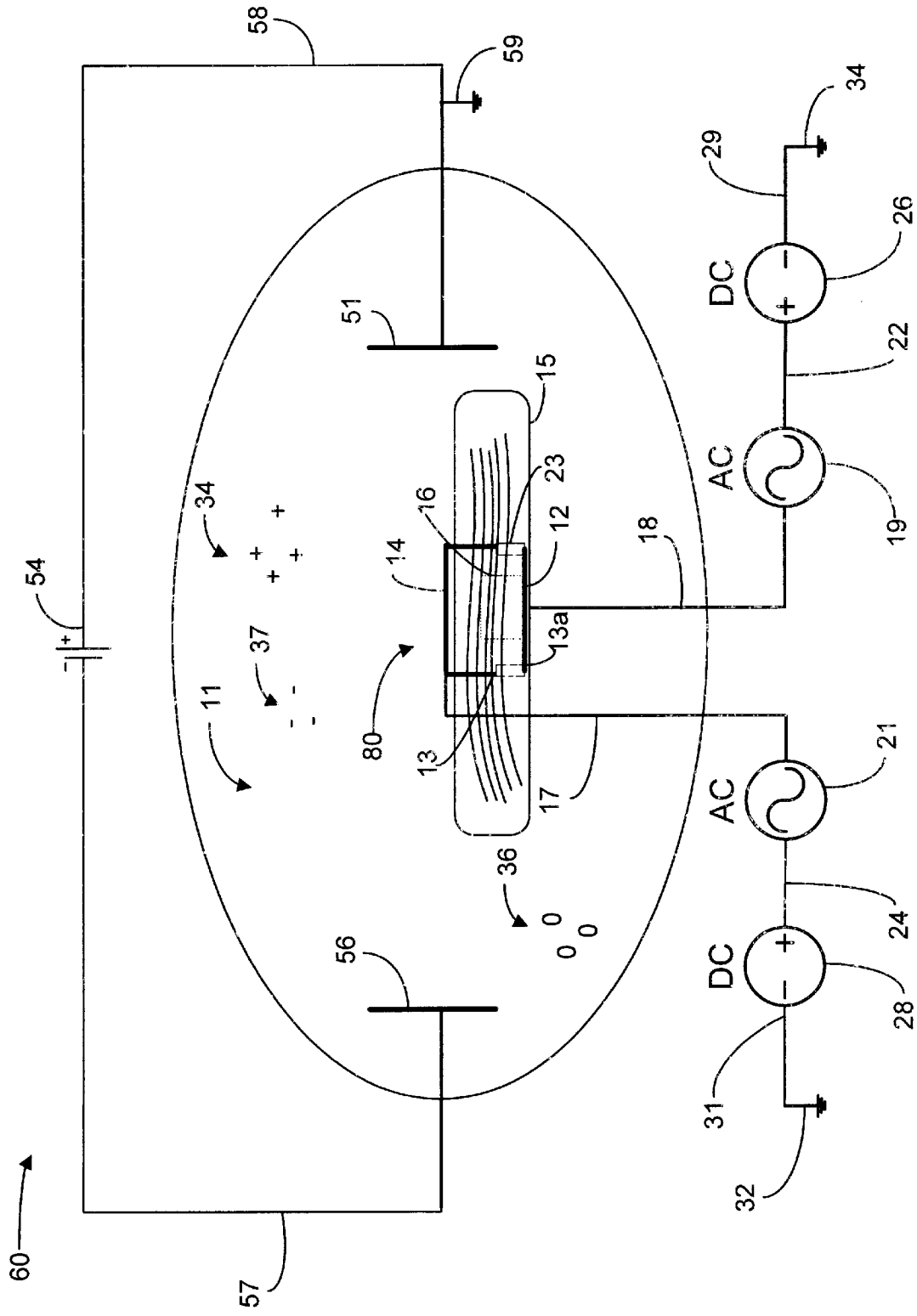


Fig. 3

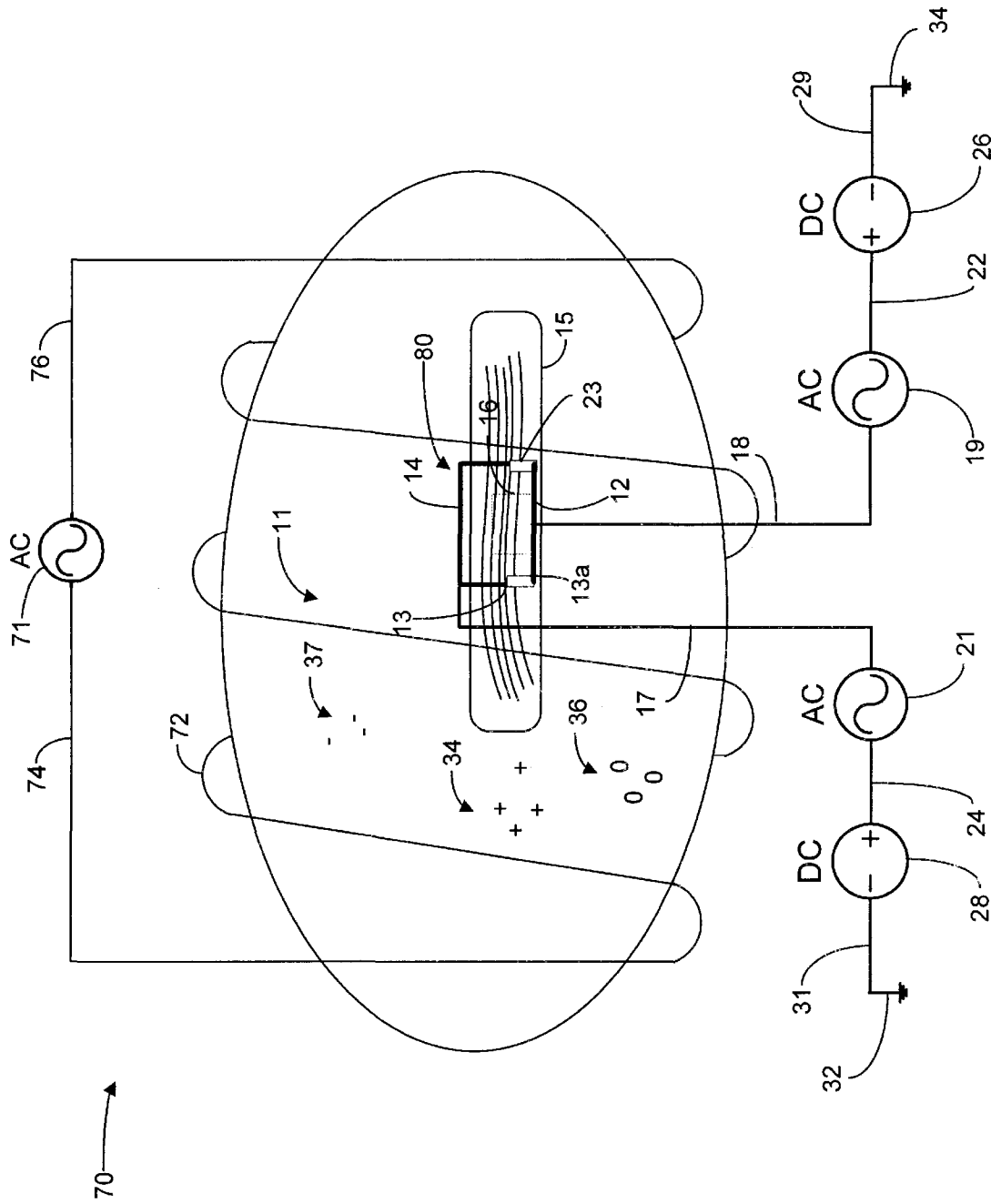


Fig. 4

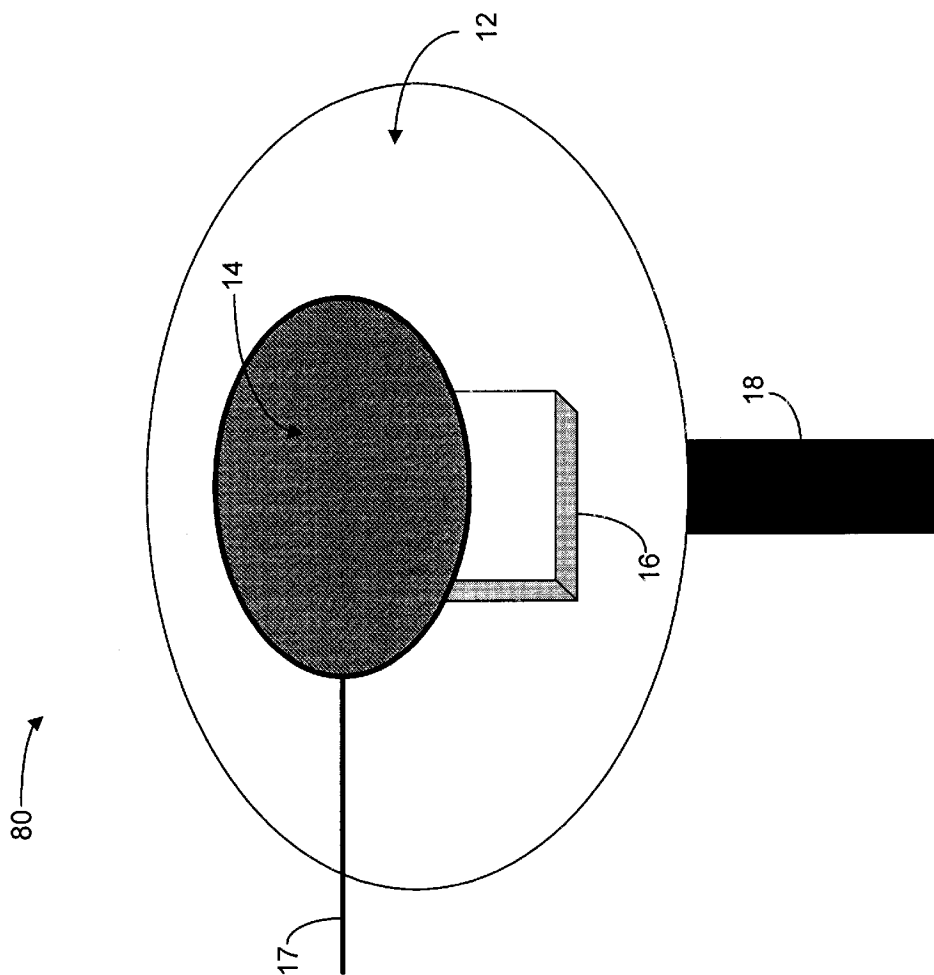


Fig. 5

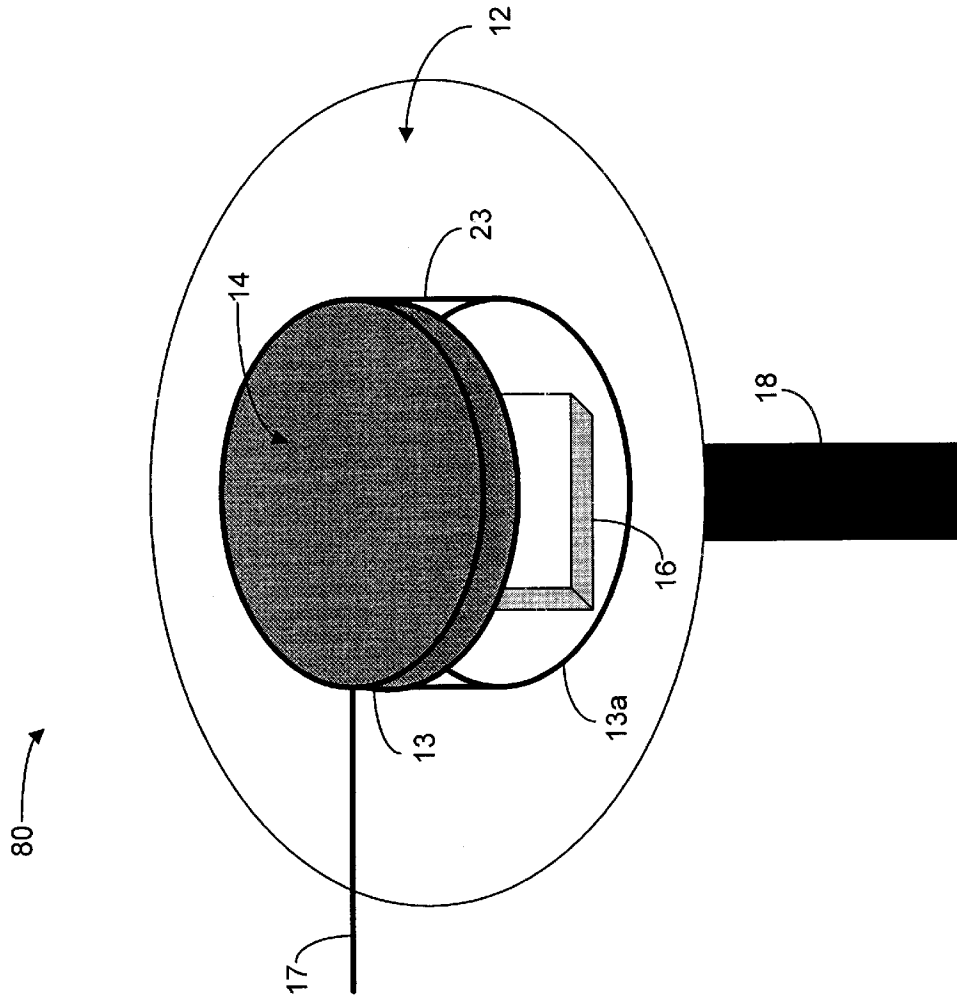


Fig. 5a

**METHOD AND APPARATUS FOR LOW
ENERGY ELECTRON ENHANCED ETCHING
AND CLEANING OF SUBSTRATES IN THE
POSITIVE COLUMN OF A PLASMA**

RELATED APPLICATIONS

This document claims priority to and the benefit of the filing date of Provisional Patent Application Ser. No. 60/028,621, filed Dec. 3, 1996, entitled "ETCHING AND CLEANING OF SURFACES USING THE POSITIVE COLUMN OF A DC PLASMA", and U.S. patent application Ser. No. 08/932,025, entitled "METHOD AND APPARATUS FOR LOW ENERGY ELECTRON ENHANCED ETCHING OF SUBSTRATES IN AN AC OR DC PLASMA ENVIRONMENT", filed on Sept. 17, 1997, which claims priority to and the benefit of the filing date of Provisional Patent Application Ser. Nos. 60/026,985, filed Sept. 20, 1996, entitled "APPARATUS AND PROCESS FOR LOW-DAMAGE DRY ETCHING OF INSULATORS BY LOW ENERGY ELECTRON ENHANCED ETCHING IN A DC PLASMA"; and 60/026,587, filed Sept. 20, 1996, entitled "APPARATUS AND PROCESS FOR LOW-DAMAGE DRY ETCHING OF INSULATORS BY LOW ENERGY ELECTRON ENHANCED ETCHING IN AN AC PLASMA"; and hereby incorporated by reference.

FIELD OF THE INVENTION

The present invention relates generally to the etching or cleaning of substrates. More particularly, the present invention relates to an improved process for low-damage, anisotropic etching and cleaning of substrates such as semiconductors and insulators, and improved anisotropically etched or cleaned substrates by placing the substrate within the positive column of a plasma discharge.

BACKGROUND OF THE INVENTION

Dry etching is an absolutely critical process in the fabrication of all micrometer and nanometer scale features on high speed electronic and opto-electronic devices. In brief, the fabrication of such chips and devices involves the following process. A substrate of some semiconductor or metal is selected and a pattern is laid down over it, the pattern having open areas in it. The overlying structure containing the pattern is sometimes called a mask. Etching chemistry is then performed through the open areas, which means that in effect some of the underlying material exposed through the open areas is dissolved away so that the pattern is transferred into the underlying layer(s). Then, the mask is stripped away and what is left behind is the original substrate, but now the pattern has been transferred into it. The process is similar to silk screening or stamping a pattern into material. The resulting pattern has a three dimensional structure.

In the early days of integrated circuit fabrication, most etching was done using a wet chemical process that is quite similar to conventional photography. For example, to etch an array of grooves in a silicon wafer, the wafer is first placed in a high temperature, oxidizing environment and a layer of silicon dioxide is grown on the top surface of the wafer. Then, the oxidized wafer is covered with a thin photosensitive layer of gelatinous organic material called a "photoresist". Next, a piece of material analogous to a photographic negative, called a "photomask", is placed over the photoresist. Ultraviolet light is shined through openings in this photomask. The ultraviolet light changes the solubility of the photoresist. Thus, areas of photoresist that have been

illuminated with the ultraviolet light display a different solubility than areas which have not been exposed to the light. Finally, a solvent is used which dissolves away only the areas of the photoresist which have had their solubility increased by the ultraviolet light. At this point, the original pattern on the photomask has been transferred to the photoresist layer. Some people refer to this patterned photoresist layer as a "soft mask".

Subsequently, a wet chemical, hydrofluoric acid (HF) dip is used to dissolve away the silicon dioxide which has been exposed through each of the openings in the overlying photoresist. Then, the photoresist is stripped off. At this point, it is apparent that the pattern originally appearing on the photomask has been transferred to the silicon dioxide layer overlying the silicon wafer. This patterned layer of silicon dioxide is sometimes referred to as a "hard mask".

Finally, the wafer is dipped into a caustic etch, such as potassium hydroxide (KOH) which etches away the silicon exposed under the openings in the hard mask. After stripping away the hard mask, the desired silicon wafer with the etched grooves remains.

As an alternative to following the hard masking step described above with a KOH silicon etch, ion implantation or high temperature diffusion could optionally be used to place dopant atoms through the openings in the hard mask.

Many other structural and chemical variations using the sorts of wet processing steps described above are possible and are well known to those of skill in the art. In each case however, the corresponding process suffers from a problem that is inherent with the associated etching using wet chemicals. In particular, at the same time that the wet chemistry is etching down into the wafer, it is also etching laterally under the mask. Indeed, this undesired lateral etching tends to extend approximately as far as the desired vertical etching. This tendency for wet chemical etching to proceed equally in all directions without prejudice is called "isotropic etching".

Isotropic etching is adequate for making a line that is 20 microns wide through a film that is 1 micron deep. The resulting inaccuracy in the edges of such a feature is a small percentage of the overall device structure; and therefore, it does not compromise performance. However, as smaller and smaller structures are fabricated, isotropic etching is inadequate. The industry is moving toward fabrication of structures with so called submicron features, which are essential for high speed computer chips, optical structures, and electronic and optoelectronic devices. In other words, the accurate transfer of a pattern which is half a micron wide into a material which is half a micron thick requires absolutely straight vertical side walls, or anisotropic etching. Isotropic etching is inadequate because the associated rounded undercut would be a very high percentage of the active device material and would destroy its performance.

Presently, it is thought that the only way to get straight side walls is by a technique called reactive-ion etching. Rather than dipping the device in wet chemicals, it is exposed to reactive gases and plasmas. Energetic ions formed in the plasma are accelerated in the normal direction to the substrate where they enhance the etching chemistry at the bottom of the open area defined by the mask and not on the sidewalls. Thus, straight side walls can be achieved with reactive-ion etching.

Reactive-ion etching provides anisotropic etching. However, the ions are heavy ions like argon or CF_3^+ and are traveling at a few hundred electron volts of kinetic energy. Thus, they carry enough momentum to displace lattice

atoms from their normal position. This damages the surfaces and often, the optical and electrical properties of the substrate have been detrimentally changed.

Fabrication of ultra small electronic and optoelectronic devices requires dry etching processes that give high anisotropy, high selectivity between different materials, and minimal surface damage. Currently, ion enhanced plasma etching processes (e.g. reactive ion etching (RIE) and electron cyclotron enhanced RIE (ECR)) reliably create high aspect ratio nanometer scale features; however, etch induced damage has become increasingly troublesome as critical dimensions shrink. To minimize etch damage, reactive species generated in the plasma should have energies larger than the activation energy of the etch reaction (a fraction of an eV), but less than the energy required for atomic displacement (3 to 10 eV for III-V semiconductors). Given these limitations, the ion energies available in reactive-ion (about 300 eV) and electron cyclotron resonance plasma etching (about 50 eV) are not ideally suited for fabricating nanometer scale devices.

Placing the sample to be etched on the anode within a DC plasma environment is one way to ensure precise control over the anisotropic etching process while minimizing damage to the substrate and is described in commonly assigned copending U.S. patent application Ser. No. 08/705,902, filed Aug. 28, 1996 and titled "METHOD AND APPARATUS FOR LOW ENERGY ELECTRON ENHANCED ETCHING OF SUBSTRATES". This technique is called Low Energy Electron Enhanced Etching (LE4, for convenience), and operates by placing the etching substrate on the anode of a DC glow discharge. This method works well for conducting and semi-conducting substrates, but is inherently problematic for etching or cleaning non-conducting substrates such as insulators because, in the aforementioned method, the substrate sample is physically and electrically connected to the anode in the plasma, thus becoming a conducting element of the electrical circuit within the plasma. An insulator, by definition does not efficiently conduct electrical current, therefore, placing an insulating substrate on the anode will impede the electrical flow and will be an inefficient and nearly impossible way to etch a non conducting substrate.

Moving the sample to be etched or cleaned off of the anode is one way of eliminating the aforementioned problem and is described in commonly assigned copending U.S. patent application Ser. No. 08/932,025, entitled "METHOD AND APPARATUS FOR LOW ENERGY ELECTRON ENHANCED ETCHING OF SUBSTRATES IN AN AC OR DC PLASMA ENVIRONMENT", filed on Sept. 17, 1997 (Attorney Docket No. 62002-1750). This arrangement allows enhanced control over the reactive species imparted to the sample, while permitting the etching or cleaning of an insulating substrate as well as a conducting or semiconducting substrate.

What is needed and was apparently not available until the presently described invention, is a method of etching or cleaning a substrate that eliminates the damage inflicted by reactive-ion etching, achieves anisotropic etching, and is applicable to conducting, semiconducting and insulating substrates.

A method of electron-impact-induced anisotropic etching of silicon (Si) by hydrogen is discussed in a 1982 article by S. Veprek and F. A. Sarott, "Electron-Impact-Induced Anisotropic Etching of Silicon by Hydrogen", *Plasma Chemistry and Plasma Processing*, Vol. 2, No. 3, p. 233. The authors discuss successful etch rates of up to 1,000 Å/min with little

surface roughness at low temperatures. At higher temperatures a rougher pattern was seen. While their exact methodology is unclear, the authors apparently used an apparatus described in a previous publication by A. P. Webb and S. Veprek, "Reactivity of Solid Silicon With Hydrogen Under Conditions of a Low Pressure Plasma", *Chemical Physics Letters*, Vol. 62, No. 1, p. 173 (1978). That publication describes an apparatus including a DC glow discharge device with the sample immersed in the positive column. The cathode was a standard hot cathode (heated to between 1500–2000 K) having a tungsten filament coated with thorium oxide. While this technique apparently worked for etching Si(111) with hydrogen, it would not work using other reactive gases such as oxygen, chlorine, and fluorine because the hot filament would be immediately consumed. Furthermore, the apparatus described by Veprek and Sarott is cumbersome.

Other experiments, reported by Gillis et al. in an article entitled "Low-Energy Electron Beam Enhanced Etching of Si(100)-(2x1) by Molecular Hydrogen," *J. Vac. Sci. Technology B* 10(6), Nov./Dec., p. 2729 (1992), focused on flooding Si with low energy electrons (200–1000 eV) produced by an electron gun. The authors reported etching at a rate of about 100 Å/min with low damage to the Si surface. Other papers by the present inventors are: "Low Energy Electron-Enhanced Etching of Si(100) in Hydrogen/Helium Direct-Current Plasma", (Gillis et al., *Appl. Phys. Lett.*, Vol 66(19), p. 2475 (1995)); "Low Energy Electron-Enhanced Etching of GaAs (100) in a Chlorine/Hydrogen DC Plasma" (Gillis et al., *Appl. Phys. Lett.*, Vol. 68(16), p. 2255 (1996)); and "Low Energy Electron-Enhanced Etching of GaN in a Hydrogen DC Plasma" (Gillis et al., *J. Electrochem. Soc.*, 143, L251 (1996)). These publications are incorporated herein by reference, in their entireties.

H. Watanabe and S. Matsui, writing in *Applied Physics Letters*, Volume 61, 1992, pp. 3011–3013, describe a related approach to achieve a process they call Electron Beam (EB)-assisted dry etching. They use porous grids to extract a "shower" of electrons from an ECR plasma and direct it toward a substrate. However, they operate the ECR source on argon gas, and then insert a separate gas ring nozzle between extraction grids and substrate. This gas ring, resembling somewhat an ordinary gas burner on a kitchen range, distributes the reactive gas (chlorine, in their case) over the etching substrate. They apply only a DC bias to the substrate, to increase electron collection efficiency and energy. They report results only for semiconductor substrates, not insulators.

SUMMARY OF THE INVENTION

The present invention involves low energy electron enhanced etching (LE4), as opposed to reactive ion enhanced etching and comprises an improvement thereupon by permitting the effective anisotropic etching and/or cleaning of all substrates including conducting, semi-conducting and insulating substrates within the positive column of a plasma. In an etching application the process gives straight side walls, and it does not damage the substrate, and in a cleaning application, allows the removal of surface contaminants without damaging or removing substrate material. In contrast to the abovedescribed reactive ions, the low energy electrons that are used in the present invention travel at less than about 100 electron volts (eV) kinetic energy (KE), preferably at less than about 20 eV. The mass of electrons is many orders of magnitude smaller than the mass of ions and the electrons carry essentially no momentum to the surface. Therefore, they do not damage the surface.

Furthermore, the present invention allows significantly enhanced control over the etching or cleaning process by permitting variations in the flux, or rate, of electrons and neutral specie particles imparted to a sample substrate and the energy of arrival of those particles imparted to a sample substrate. This is done by establishing a local electrical field in the vicinity of the sample with respect to the plasma, thus any charged specie of particle that feels the potential established by the local electrical field will respond enabling the extraction or retardation of particles from the plasma. Because this is done in the vicinity of the sample, the present invention allows precise control over the flux and energy parameters of the particles arriving at the sample.

The present invention provides a low damage alternative to ion enhanced processes, using low energy electron enhanced etching (LE4), in which the substrate is supported on a structural member within the positive column, i.e., an electrically neutral portion, of the plasma field, generated by either a DC or an AC plasma discharge. This exposes the substrate to electrons and the neutral and ionized portions of the reactive species. In an alternate embodiment, a conducting substrate is supported by an anode of a dc plasma reactor. In all but the embodiment having the sample supported by the anode of a dc plasma reactor, the plasma field may be a DC plasma or an AC plasma.

The energy of electrons and negative ions arriving at the substrate on the anode of a DC discharge is limited to a value not greater than the ionization potential of the reaction gas; energies above this limit are effectively dissipated by inelastic collisions in the gas phase. No such fundamental limit is imposed on the positive ions produced in RF and microwave plasmas. For dc plasma reactors a voltage of about 0.5–2 kV is applied between the cathode and the anode, generating a glow discharge in which electrons having a kinetic energy of less than about 100 eV, or, preferably less than about 20 eV arrive at the anode.

In one aspect, the invention involves a process for low-damage, anisotropic etching or cleaning of a substrate that includes the steps of placing the substrate on a mechanical structure designed to support the sample to be etched or cleaned within the positive column of a plasma generated by a plasma reactor, and subjecting the substrate to an electrically neutral portion of the plasma including low energy electrons and a gaseous species that is reactive with the substrate.

The substrate can be a Group IV semiconductor, a Group III–V semiconductor, a Group II–VI semiconductor, an oxide, a nitride, a metal, an alloy or mixture of the foregoing, or an insulating substrate. The reactive species can be any that reacts with the substrate and that volatilizes within the temperature and flow of the device. Typical reactive species to be used are hydrogen, halogens, interhalogen compounds, hydrogen halides, volatile organic compounds, and noble gasses such as argon and helium. The reactive species may be selected depending upon the desired result. For example, if cleaning of the substrate is desired then the reactive specie selected should be one which will remove the particular contaminant desired to be eliminated. If etching the substrate is desired, then the reactive specie should be selected based upon its ability to remove the desired amount of substrate material. The concepts of the present invention are equally applicable to an ac plasma or a dc plasma. Three embodiments of the present invention will be discussed.

It is important to note that in the case of a plasma reactor that uses electrical conductors such as an anode and a cathode to generate the plasma flow, in all but one variation,

the mechanical support is not used as an electrode to generate or maintain the plasma flow, but in a first preferred embodiment, merely as a mechanical support for the sample to be etched, and in subsequent embodiments, not as an electrode involved in the generation or maintenance of the plasma, but one which both mechanically supports the sample and also imparts an electrical bias to the sample resting thereon.

Furthermore, a plurality of sample substrates may be placed within the plasma reactor for etching or cleaning. Separating these multiple samples by an air space allows the reactive species to etch or clean the samples simultaneously, thus enabling the simultaneous processing of multiple samples.

In a first preferred embodiment in which no external voltage is applied to the mechanical support, and thus the sample, the sample achieves a “floating potential”, which in the case of a dc plasma, is negative relative to the “plasma potential” in the body of the plasma.

In a second preferred embodiment, and with respect to a dc plasma reactor, an external electrical bias, with respect to the plasma potential, is applied to the mechanical support, and therefore to the sample. The external electrical bias applied to the mechanical support can be of a dc or an ac nature, or a combination of the two. To prevent buildup of a negative potential which can eventually stop the etching process, the sample must be periodically “discharged” or “neutralized” by reducing the external bias slightly below plasma potential. This will enable a sufficient number of positive ions to arrive from the plasma to cancel the accumulated negative charge, while keeping their energy too small to inflict ion bombardment damage. Thus, the substrate on the mechanical support must be subjected to a modulated positive voltage.

In a third preferred embodiment an additional structure, for example a grid, or a permeable cap, capable of imparting an electrical potential is placed within the plasma. This additional structure is one that is capable of being electrically biased in similar fashion to that of the mechanical support used to support the sample. This additional structure is typically placed within the plasma in close proximity to the sample to be etched. By varying the electrical bias to this structure, further control over the flux and energy of charged species, i.e., electrons and ions, being imparted to the sample are achieved. When the plasma source is biased negative relative to these structures, a broad beam or stream of electrons will be extracted from the plasma toward the substrate. The energy of the electrons can be controlled by the magnitude of the dc bias on the ac source.

In a variation of this third embodiment, for etching and cleaning conducting and semi conducting substrates, the sample is placed upon the anode of a dc plasma reactor as described in commonly assigned copending U.S. patent application Ser. No. 08/705,902, filed Aug. 28, 1996 and titled “METHOD AND APPARATUS FOR LOW ENERGY ELECTRON ENHANCED ETCHING OF SUBSTRATES”, however as an improvement thereon, the additional structure as described above is placed within the positive column of the plasma in close proximity to the sample, thus allowing improved precise control over the flux and energy of charged species being imparted to the sample.

The process for the present invention with respect to an ac plasma reactor is similar to that described with respect to a dc plasma reactor. Variations necessary because of physical differences between various reactor configurations will not be discussed in detail. The mechanical support and the

additional structure are equally applicable to both ac and dc plasma reactors. Furthermore, the benefits of the present invention are equally applicable to various ac plasma reactor configurations such as resonant microwave cavity reactors and inductively coupled plasma reactors.

In the second preferred embodiment as discussed above and with respect to an ac plasma reactor, an external electrical bias, with respect to the plasma potential, is applied to the mechanical support, and therefore, to the sample resting thereon. The external electrical bias applied to the mechanical support can be of a dc or an ac nature, or a combination of the two.

The present invention also includes an apparatus for performing anisotropic etching or cleaning of a substrate. The etching or cleaning of any substrate, whether conducting, non-conducting, or insulating can be accomplished using the concepts of the low energy electron enhanced etching and cleaning method and apparatus of the present invention.

The apparatus includes any chamber as is known by those skilled in the art for generating a plasma. The apparatus used to practice the present invention is similar whether used within a dc or an ac plasma. Within the plasma chamber is placed a mechanical support for physically supporting the sample to be etched or cleaned. It is important to note that in all but one possible configuration, that being the case of a plasma reactor that uses electrical conductors such as an anode and a cathode to generate the plasma flow, the mechanical support is not used as an electrode to generate or maintain the plasma flow, but in a first preferred embodiment, merely as a mechanical support for the sample to be etched, and in subsequent embodiments, not as an electrode involved in the generation or maintenance of the plasma, but one which imparts an electrical bias to the sample resting thereon.

In a first preferred embodiment, i.e., one having no external voltage applied to the mechanical support and thus the sample, the sample is held by the mechanical support in the positive column of the plasma and allowed to achieve its floating potential. The substrate can at this time be etched or cleaned as desired by introducing the appropriate reactive specie into the plasma chamber.

In a second preferred embodiment, the mechanical support is capable of being electrically biased with respect to the plasma potential. This allows the mechanical support to impart an electrical bias to the sample resting thereon. The external electrical bias applied to the mechanical support can be of a dc or an ac nature, or a combination of the two, and allows improved control over the flux and energy of reactive specie being imparted to the substrate.

In a third preferred embodiment, an additional structure, for example a grid, or a permeable cap, capable of imparting an electrical potential is placed within the plasma. This additional structure is one that is capable of being electrically biased in similar fashion to that of the mechanical support used to support the sample. This additional structure is typically placed within the plasma in close proximity to the sample to be etched or cleaned. By varying the electrical bias to this structure, further control over the flux and energy of charged species, i.e., electrons and ions, being imparted to the sample are achieved.

In a variation of this third embodiment, and for etching and cleaning conducting and semi conducting substrates, the sample is placed upon the anode of a dc plasma reactor as described in commonly assigned copending U.S. patent application Ser. No. 08/705,902, filed Aug. 28, 1996 and

titled "METHOD AND APPARATUS FOR LOW ENERGY ELECTRON ENHANCED ETCHING OF SUBSTRATES", however as an improvement thereon, the additional structure as described above is placed within the positive column of the plasma in close proximity to the sample, thus allowing improved precise control over the flux and energy of charged species being imparted to the sample.

An advantage of the present invention is that low damage sub-micron anisotropic etching or cleaning of a conducting, semi-conducting, or insulating substrate is achieved.

Another advantage of the present invention is that it is applicable to a variety of substrates using a variety of reactive species.

Another advantage of the present invention is that it allows an improved degree of control over the flux and energy of charged species being imparted to a substrate.

Another advantage of the present invention is that by moving the sample off the anode, electric current no longer has to pass directly through the sample, thus avoiding any charging damage that may occur if the sample is located at an electrode.

Another advantage of the method and apparatus of the present invention is that the apparatus is fairly simple to assemble and operate.

Another advantage of the method and apparatus of the present invention is that the permeable wall hollow cathode can generate a higher flux of low energy electrons, at a lower pressure.

Other features and advantages of the method and apparatus of the present invention will become apparent to one with skill in the art upon examination of the drawings and the detailed description.

BRIEF DESCRIPTION OF THE DRAWINGS

The present invention can be better understood with reference to the following drawings. The drawings are not necessarily to scale, emphasis instead being upon clearly illustrating principles of the present invention.

FIG. 1 is a schematic view of a plasma reactor apparatus illustrating three preferred embodiments of the low energy electron enhanced etching and cleaning apparatus and the placement of the substrate within the positive column of a plasma;

FIG. 2 is a schematic view of a dc plasma reactor illustrating an alternate embodiment of the low energy electron enhanced etching and cleaning apparatus and the placement of the substrate within the positive column of a plasma;

FIG. 3 is a schematic view of a dc plasma reactor illustrating three preferred embodiments of the low energy electron enhanced etching and cleaning apparatus of FIG. 1;

FIG. 4 is a schematic view of an illustrative ac plasma reactor illustrating three preferred embodiments of the low energy electron enhanced etching and cleaning apparatus of FIG. 1;

FIG. 5 is a detail schematic view of a sample support apparatus of the low energy electron enhanced etching and cleaning apparatus of FIG. 1; and

FIG. 5a is a detail schematic view of an alternate embodiment of the sample support apparatus of FIG. 5.

DETAILED DESCRIPTION OF THE PREFERRED EMBODIMENT

In the foregoing description of the preferred embodiments, the low energy electron enhanced etching and

cleaning method and apparatus of the present invention is applicable equally to both a dc plasma reactor and an ac plasma reactor. Variations necessary because of physical differences between various reactor configurations are contemplated and will not be discussed in detail. Furthermore, the benefits of the present invention are equally applicable to various ac plasma reactor configurations, for example, resonant microwave cavity reactors and inductively coupled plasma reactors.

In all embodiments that use conductors to generate the low energy electrons desired to form the plasma flux, and thus the positive column within that flux, the cold cathode can be a hollow cathode formed with permeable, meshed, or perforated, generally referred to as permeable, walls rather than the typical solid walls. The cathode may be cylindrically shaped with a side wall of a permeable conductive material, such as stainless steel mesh, and having one end that is open or closed and an open end. The cathode is connected to a cathode mounting post and to the power supply. The cathode may comprise a plurality of nested side walls, each connected to the power supply. The use of this cathode allows the generation of a large flux of low energy electrons at low pressure and temperature. A cathode made in accordance with that described is described in copending commonly assigned U.S. patent application Ser. No. 08/399,341, filed Jul. 23, 1997, titled "APPARATUS AND METHOD FOR REDUCING OPERATING VOLTAGE IN GAS DISCHARGE DEVICES".

A preferred embodiment of an etching apparatus suitable for practicing the concepts of the present invention, referred to generally as **10**, is illustrated in FIG. 1. The apparatus includes a plasma chamber **11** suitable for striking, maintaining, and containing a plasma as known by those skilled in the art. Within plasma chamber **11** reside various species of particles including positively charged ions **34**, neutral species **36** and negatively charged electrons **37**. The plasma generating apparatus itself includes various means for generating low energy electrons, maintaining a vacuum, introducing the charged and neutral species and monitoring and regulating the plasma process as is known in the art, and has been omitted from FIG. 1 for clarity.

DC plasma reactors are ones in which a dc power source is used to strike the plasma flow. AC plasma reactors are ones in which an ac power source is used to strike the plasma flow. AC plasma reactors can be for example, conventional in which electrodes (an anode and a cathode) are employed to generate the plasma flow, or electrodeless plasma generators such as a resonant microwave cavity or an inductively coupled plasma generator. These and other plasma generating sources known to those skilled in the art are capable of being employed to practice the concepts of the present invention, and indeed, the present invention can be used in conjunction with any dc or ac plasma reactor with similar result.

As shown in FIG. 1, apparatus **10** includes sample support apparatus **80** which includes, among other items, mechanical support **12** designed to support substrate sample **16** in a suitable location within electrically neutral positive column **15** that is part of the plasma flux contained within plasma chamber **11**. Positive column **15** is a portion of the plasma discharge that exists within plasma chamber **11** and includes an equal number of ions **34** and electrons **37**, thus creating an electrically neutral region generally referred to by those skilled in the art as a positive column. Sample **16** can be a conducting, semiconducting, or an insulating substrate.

Electrically connected to mechanical support **12** through connection **18** is AC power source **19**. Connected to AC

power source **19** on connection **22** is DC power source **26** which in turn is connected on line **29** to ground **34**.

In a first preferred embodiment of the present invention, mechanical support **12** is used to mechanically hold sample **16** in a suitable location within positive column **15** in plasma chamber **11**, with AC power source **19** and DC power source **26** inactive. In this embodiment, no external voltage is applied to mechanical support **12**, and thus sample **16** achieves a "floating potential", which in the case of both a dc plasma and an ac plasma is negative relative to the "plasma potential" in the body of the plasma. In the absence of voltage applied to mechanical support **12**, the difference between floating and plasma potential naturally attracts ions **34** from the plasma to sample **16**. In the body of the plasma, the density of electrons and ions is on average equal. Therefore in the absence of any external electric fields, or in the vicinity of a perturbation, or disturbance, the plasma is at an equipotential. This is usually called the plasma potential and is sometimes referred to as the space potential. An electrically isolated body, such as sample **16**, placed in the plasma will initially be bombarded by electrons and ions. The current density of electrons is much larger than that of the ions and so very quickly the body will collect an excess of negative charge. This repels electrons and attracts ions. The electron flux is decreased so that it just balances the ion flux on the body. At this point the body has reached a steady state of excess charge, electric field and potential. The potential it has reached is called the floating potential, and since it repels electrons it is less than the plasma potential. In the instance of a dc plasma the floating and plasma potentials are negative with respect to the grounded anode. In the absence of a reference potential (e.g. when the plasma is created by ac inductive coupling), only the difference in the plasma and floating potential is meaningful.

Still referring to FIG. 1 and in a second preferred embodiment, an external electrical bias with respect to the plasma potential, is applied to mechanical support **12**, and therefore to sample **16**. AC power source **19** and DC power source **26** are used either individually or collectively to impart either an AC, DC or a combination of AC and DC electrical bias to mechanical support **12**. Application of increasingly positive external voltage to mechanical support **12** decreases the net current, which goes to zero when the external voltage exactly matches the floating potential. At this point, the current of positive ions **34** exactly matches and compensates the current of electrons **37**. Increasing the positive external voltage to values greater than the floating potential causes the net current from plasma to mechanical support **12** to become progressively negative; at external voltages more positive than the plasma potential, mechanical support **12** rejects positive ions **34** and attracts electrons **37**.

Most of these arriving electrons **37** will collide with sample **16**, give up some of their kinetic energy to it, and be reflected back into the body of the plasma. Some of them will stick to the substrate surface, thereby transferring negative charge to it. If sample **16** is an insulator, it cannot drain off this surface charge, which could accumulate sufficiently to generate a negative potential capable of blocking the arrival of further electrons **37**, thereby stopping the etching or cleaning process. To prevent this, sample **16** must be periodically "discharged" or "neutralized" by reducing the external bias supplied through mechanical support **12** slightly below plasma potential. This will enable a sufficient number of positive ions **34** to arrive from the plasma to cancel the accumulated negative charge, while keeping their energy too small to inflict ion bombardment damage. Thus,

the substrate sample **16** on mechanical support **12** must be subjected to a modulated positive voltage supplied on connection **18** to mechanical support **12**. When this external bias is "high," LE4 occurs. When this external bias is "low," the negative charge on the substrate is being neutralized. The magnitude of the positive bias must be sufficient to reject positive ions **34** and also large enough to give electrons **37** sufficient energy to overcome the threshold for LE4. The frequency of bias pulse must be sufficient to prevent negative charge buildup (which would stop LE4) by discharging sample **16** often enough. The requisite magnitude and frequency, as well as the optimal waveform (e.g. square wave vs. sinusoidal) must be determined empirically for each combination of substrate and reactive gas. Reactive gasses are chosen and introduced into plasma chamber **11** depending upon the desired result, i.e., whether the sample is to be etched or cleaned, and if to be cleaned, the contaminants sought to be removed.

Still referring to FIG. **1** and in a third preferred embodiment, additional structure **14**, which can be a grid, or permeable cap, capable of imparting an electrical potential is placed within plasma chamber **11**. Additional structure **14** can be fabricated in a manner similar to that described with respect to the cold cathode discussed above. In one embodiment, additional structure can be a grid placed in close proximity to sample **16** and will be explained in further detail below with respect to sample support apparatus **80** illustrated in FIG. **5**. In an additional embodiment thereof, insulating non-permeable ring **23** is added to mechanical support **12** and surrounds sample **16**. Ring **23** is joined to mechanical support **12** and additional structure **14** in such a way as to prevent electrons and ions from penetrating joints **13** and **13a**. This arrangement ensures that any electrons or ions that reach sample **16** must pass through additional structure **14** and will be explained in further detail below with respect to sample support apparatus **80** illustrated in FIG. **5a**. Additional structure **14** is one that is capable of being electrically biased in similar fashion to that of mechanical support **12** used to support sample **16**. Additional structure **14** is placed within the positive column of the plasma in close proximity to sample **16** to be etched. Additional structure **14** is connected on connection **17** to AC power source **21**. AC power source **21** is connected on connection **24** to DC power source **28** which is connected on connection **31** to ground **32**. By varying the electrical bias to additional structure **14**, further control over the flux and energy of charged species, i.e., electrons **37** and ions **34**, being imparted to sample **16** is achieved. Specifically, the extraction and retardation of electrons **37** and ions **34** from the plasma to sample **16** are controlled in order to further enhance the quality of the etching or cleaning imparted to sample **16**. Similar to the electrical bias capable of being applied to mechanical support **12** holding sample **16**, the electrical bias applied to additional structure **14** by AC power source **21** and DC power source **28** can be of an ac or dc nature, or a combination of the two.

In this third preferred embodiment, electrically neutral reactive species **36** will form reactive beams or streams collinear with electrons **37**. This combination of low energy electrons **37** and reactive species **36** arriving at the surface will accomplish LE4 of the substrate.

Most of these arriving electrons **37** will collide with sample **16**, give up some of their kinetic energy to it, and be reflected away into the body of the plasma. Some of them will stick to the substrate surface, thereby transferring negative charge to it. If sample **16** is an insulator, it cannot drain off this surface charge, which could accumulate sufficiently

to generate a negative potential capable of blocking the arrival of further electrons **37**, thereby stopping the etching process. To prevent this, sample **16** must be periodically "discharged" or "neutralized" by applying a periodic ac external bias to it on connection **18** using AC power source **19**. During the positive swing of this bias, electrons **37** will be attracted to sample **16**, and LE4 will occur; during the negative swing, accumulated negative surface charge will be ejected, in effect neutralizing the substrate surface.

Applying a positive bias to a plasma source, relative to additional structure **14** in contact with the positive column of the plasma, enables the extraction of a beam of electrons from the plasma. The method and apparatus for low energy electron enhanced etching and cleaning of substrates in the positive column of a plasma extracts a beam of electrons from the plasma. Alternatively, the electron extraction bias on the ac plasma source could be modulated, so that during its positive swing, positive ions (instead of electrons) would be extracted from the source and beamed to the substrate, effecting neutralization of the accumulated negative charge. Magnitude of the positive bias would be kept too low to give ions sufficient energy for ion bombardment damage at the substrate.

Referring now to FIG. **2**, in a variation of this third embodiment, and applicable in a dc plasma environment for etching or cleaning conducting and semi conducting substrates, sample **16** is placed upon anode **51** of dc plasma reactor **50** in similar fashion to that described in commonly assigned copending U.S. patent application Ser. No. 08/705, 902, filed Aug. 28, 1996 and titled "METHOD AND APPARATUS FOR LOW ENERGY ELECTRON ENHANCED ETCHING OF SUBSTRATES", however as an improvement thereon, sample **16** and additional structure **14** are located within positive column **15** of the plasma discharge. By electrically biasing additional structure **14** using AC power source **21** and DC power source **28** as described above, improved precise control over the flux and energy of charged species being imparted to sample **16** is achieved. In addition to anode **51**, dc plasma reactor **50** includes cathode **56** and dc power source **54**. DC power source **54** is connected to cathode **56** on line **57** and to anode **51** on line **58**. In addition anode **51** is attached to ground **59**. The operation of the remaining components of FIG. **2** are similar to that as described with respect to FIG. **1**.

FIG. **3** is illustrative of the present invention in a dc plasma generating environment and illustrates a dc plasma reactor **60** employing the concepts of the present invention. DC power source **54** generates a dc plasma in plasma chamber **11** using cathode **56** and anode **51** as known by those skilled in the art and will not be explained in detail. The plasma within chamber **11** includes positive column **15** as described with respect to FIG. **1**. Positive column **15** is the electrically neutral portion of the plasma within which sample **16** is placed in order to be etched or cleaned. The operation of the invention is the same as with respect to FIG. **1**.

Cathode **56** is mounted in the plasma chamber **11**. Cathode **56** is preferably a cold cathode, sometimes referred to as a field emission cathode, meaning it functions without the application of heat. The cathode is activated using external power source **54** that applies a direct current (DC) voltage between cathode **56** and anode **51**. Because the chamber contains a gas, the chamber functions as a DC glow-discharge tube or DC plasma reactor. The cathode may be a standard cold cathode such as are known in the art, or preferably one constructed in accordance with the teaching of copending commonly assigned U.S. patent application

Ser. No. 08/399,341, filed Jul. 23, 1997, titled "APPARATUS AND METHOD FOR REDUCING OPERATING VOLTAGE IN GAS DISCHARGE DEVICES".

FIG. 4 is a view illustrating an ac plasma reactor 70 employing the concepts of the low energy electron enhanced etching and cleaning method and apparatus of the present invention. AC plasma reactor 70 illustrates an inductively coupled plasma reactor and is merely one type of ac plasma reactor. The present invention is equally applicable to any ac plasma reactor, the ac reactor shown in FIG. 4 being used for illustrative purposes only. AC power source 71 supplies power to coil 72 through connections 74 and 76. AC power source 71 and coil 72 create an ac plasma within plasma chamber 11, the plasma including positive column 15, which is electrically neutral, as known by those skilled in the art. The operation of the invention is the same as with respect to FIG. 1.

FIG. 5 is a detail schematic view of sample support apparatus 80, which includes mechanical support 12 and additional structure 14. Additional structure 14, connected to AC and DC power sources on connection 17 and capable of imparting an electrical potential, is placed within plasma chamber 11 within positive column 15 (omitted for clarity) and in close proximity to sample 16. Additional structure 14 can be fabricated in a manner similar to that described with respect to the cold cathode discussed above and is permeable in order to promote the unimpeded passage of charged and neutral species.

FIG. 5a is a detail schematic view of sample support apparatus 80, which includes mechanical support 12 and additional structure 14. Additional structure 14, connected to AC and DC power sources on connection 17 and capable of imparting an electrical potential, is placed within plasma chamber 11 within positive column 15 (omitted for clarity) and in close proximity to sample 16. Additional structure 14 can be fabricated in a manner similar to that described with respect to the cold cathode discussed above and is permeable in order to promote the unimpeded passage of charged and neutral species. In this embodiment, insulating non-permeable ring 23 is placed upon mechanical support 12 in such a way as to surround sample 16. Ring 23 is joined to mechanical support 12 and additional structure 14 in such a way as to prevent electrons and ions from penetrating joints 13 and 13a. This arrangement ensures that any electrons or ions that reach sample 16 must pass through additional structure 14.

It will be obvious to those skilled in the art that many modifications may be made to the preferred embodiments of the present invention, as set forth above, without departing substantially from the principles of the present invention. All such modifications are intended to be included herein within the scope of the present invention, as defined in the following claims.

The following is claimed:

1. A process for low-damage anisotropic dry etching or cleaning of a substrate, comprising the steps of:

placing a substrate on a mechanical support in the positive column of a plasma generated by a plasma reactor having a cathode and an anode, said mechanical support being separate from said cathode and said anode, subjecting the substrate to a positive column of said plasma including low energy electrons having a kinetic energy less than about 100 eV and at least one species reactive with the substrate; and generating the electrons with a cold cathode.

2. The process as defined in claim 1, wherein a plurality of substrates are placed in said positive column of said plasma.

3. The process defined in claim 2, wherein said plurality of substrates are arranged in a stack and separated from one another.

4. The process as defined in claim 1, wherein said reactive species is chosen such that a contaminant located on the substrate is removed.

5. The process as defined in claim 1, wherein said reactive species is chosen such that a portion of the substrate is removed.

6. The process as defined in claim 1, further comprising the step of selecting said reactive species from the group consisting of hydrogen, halogens, interhalogen compounds, hydrogen halides, volatile organic compounds, noble gasses, and mixtures thereof.

7. The process as defined in claim 1, wherein said plasma reactor generates a dc plasma.

8. The process as defined in claim 1, wherein said plasma reactor generates an ac plasma.

9. The process as defined in claim 1, wherein said mechanical support is electrically biased, said mechanical support imparting said electrical bias upon the substrate.

10. The process as defined in claim 1, wherein said mechanical support imparts a dc electrical bias upon the substrate.

11. The process as defined in claim 1, wherein said mechanical support imparts an ac electrical bias upon the substrate.

12. The process as defined in claim 1, wherein said mechanical support imparts both a dc and an ac bias upon the substrate.

13. The process as defined in claim 9, further comprising the step of periodically modulating said electrical bias of said mechanical support to a value below the value of the electrical potential of the plasma.

14. The process as defined in claim 1, further comprising the step of including an additional structure within said plasma, said additional structure capable of being electrically biased.

15. The process as defined in claim 14, wherein said additional structure is dc electrically biased.

16. The process as defined in claim 14, wherein said additional structure is ac electrically biased.

17. The process as defined in claim 14, wherein said additional structure is both ac and dc electrically biased.

18. A process for low-damage anisotropic dry etching or cleaning of a substrate, comprising the steps of:

providing a direct current plasma reactor including a cathode and an anode;

placing a substrate on the anode of the direct current plasma reactor;

generating low energy electrons with a cold cathode;

subjecting the substrate to a positive column of said plasma including low energy electrons having a kinetic energy less than about 100 eV and at least one species reactive with the substrate; and

placing an additional structure within said plasma, said additional structure capable of being electrically biased.

19. The process as defined in claim 18, wherein said substrate is a conducting substrate.

20. The process as defined in claim 18, wherein said substrate is a semi conducting substrate.

21. The process as defined in claim 18, wherein said additional structure is dc electrically biased.

22. The process as defined in claim 18, wherein said additional structure is ac electrically biased.

15

23. The process as defined in claim 18, wherein said additional structure is both ac and dc electrically biased.

24. An apparatus for low-damage anisotropic dry etching of a substrate, comprising:

a plasma reactor having a cold cathode for generating electrons, and an anode;

a mechanical support separate from said cathode and said anode designed to hold a substrate within the positive column of a plasma, said plasma generated by said plasma reactor, said positive column including low energy electrons having a kinetic energy less than about 100 eV and at least one species reactive with the substrate.

25. The apparatus as defined in claim 24, wherein a plurality of substrates are placed in said positive column of said plasma.

26. The apparatus as defined in claim 25, wherein said plurality of substrates are arranged in a stack and separated from one another.

27. The apparatus as defined in claim 24, wherein said plasma reactor generates a dc plasma.

28. The apparatus as defined in claim 24, wherein said plasma reactor generates an ac plasma.

29. The apparatus as defined in claim 24, wherein said mechanical support is electrically biased, said mechanical support imparting said electrical bias upon the substrate.

30. The apparatus as defined in claim 24, wherein said mechanical support imparts a dc electrical bias upon the substrate.

31. The apparatus as defined in claim 24, wherein said mechanical support imparts an ac electrical bias upon the substrate.

32. The apparatus as defined in claim 24, wherein said mechanical support imparts both a dc and an ac bias upon the substrate.

33. The apparatus as defined in claim 29, wherein said electrical bias of said mechanical support is modulated

16

periodically to a value below the value of the electrical potential of the plasma.

34. The apparatus as defined in claim 24, further comprising the step of including an additional structure within said plasma, said additional structure capable of being electrically biased.

35. The apparatus as defined in claim 34, wherein said additional structure is dc electrically biased.

36. The apparatus as defined in claim 34, wherein said additional structure is ac electrically biased.

37. The apparatus as defined in claim 34, wherein said additional structure is both ac and dc electrically biased.

38. An apparatus for low-damage anisotropic dry etching or cleaning of a substrate, comprising:

a direct current plasma reactor including a cathode and an anode;

a substrate placed on the anode of the direct current plasma reactor;

means for generating low energy electrons with a cold cathode;

means for subjecting the substrate to a positive column of said plasma including low energy electrons having a kinetic energy less than about 100 eV and at least one species reactive with the substrate; and

an additional structure within said plasma, said additional structure capable of being electrically biased.

39. The apparatus as defined in claim 38, wherein said substrate is a conducting substrate.

40. The apparatus as defined in claim 38, wherein said substrate is a semi conducting substrate.

41. The apparatus as defined in claim 38, wherein said additional structure is dc electrically biased.

42. The apparatus as defined in claim 38, wherein said additional structure is ac electrically biased.

43. The apparatus as defined in claim 38, wherein said additional structure is both ac and dc electrically biased.

* * * * *

UNITED STATES PATENT AND TRADEMARK OFFICE
CERTIFICATE OF CORRECTION

PATENT NO. : 6,033,587
DATED : March 7, 2000
INVENTOR(S) : Martin et al.

Page 1 of 1

It is certified that error appears in the above-identified patent and that said Letters Patent is hereby corrected as shown below:

Title page.

Item [60], **Related U.S. Application Data**, delete "and" after "Sep. 20, 1996" (1st occurrence), and add -- , and U.S. Patent application No. 08/932,025, Sept. 17, 1997. -- after "Sep. 20, 1996" (2nd occurrence).

Column 1,

Line 58, delete "water" and replace with -- wafer --.

Column 4,

Line 61, delete "abovedescribed" and replace with -- above-described --.

Column 13,

Line 33, delete "1I" and replace with -- 11 --.

Signed and Sealed this

Tenth Day of December, 2002

A handwritten signature in black ink, appearing to read "James E. Rogan", with a long horizontal flourish underneath.

JAMES E. ROGAN
Director of the United States Patent and Trademark Office